



Hydraulic Power Pack 14 Mpa 7 L/min 100 L

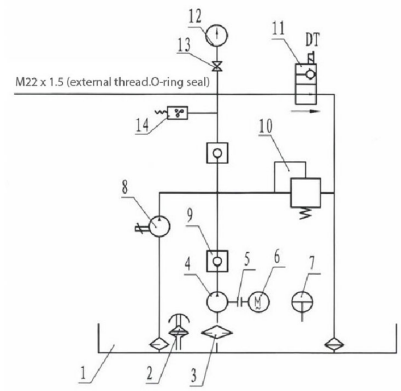
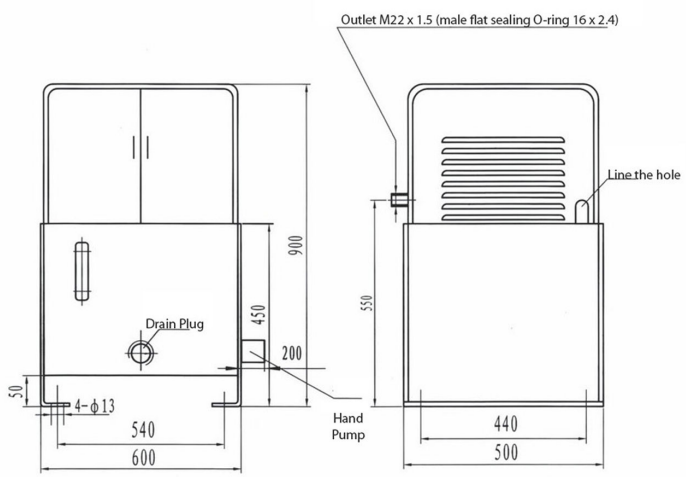
Key features

- A compact and efficient hydraulic power unit designed to provide reliable power for various hydraulic systems, delivering 14 MPa pressure at a flow rate of 7 liters per minute with a 100-liter reservoir capacity.
- Pressure: 14 MPa for high-performance hydraulic applications.
- Durable Construction: Built with robust materials to ensure reliability and longevity.
- 3 Year Warranty, Customer Support and Service in the USA

Hydraulic Power Pack 14 Mpa 7 L/min 100 L Description

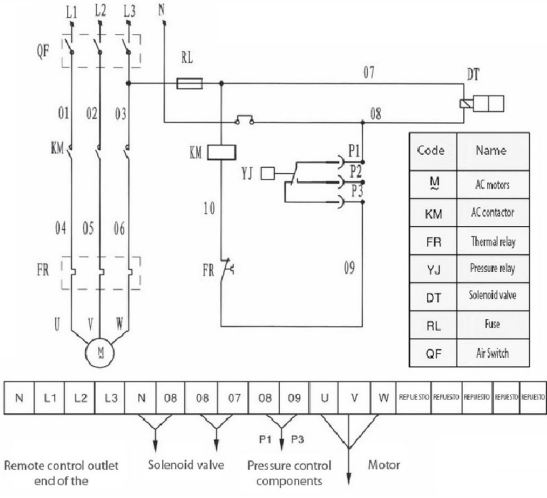
This Hydraulic Power Pack delivers a pressure of 14 MPa with a flow rate of 7 liters per minute and features a 100-liter reservoir. Designed for efficient hydraulic operation, it provides reliable power and performance for various hydraulic applications, ensuring robust functionality and durability.

Technical Specifications



NO	Name
1	Tank
2	Air filter
3	Suction filter
4	Pump
5	Coupling
6	Electric motor
7	Liquid meter
8	Hand pump
9	One-way valve
10	Relief valve
11	Solenoid valve
12	Pressure gauge
13	Pressure gauge switch
14	Pressure relay

Hydraulic Fluid Control Chart



Dimensions

Electrical Diagram

Model/Modelo	Rated pressure / Presión Nominal	Flow (per min) / Flujo (por min)	Power / Potencia	Hydraulic Fluid / Líquido Hidráulico	Weight / Peso
PWYZ8-15	8 Mpa	15 L	3.0 kW	100 L	264.6 lb / 120 kg
PWYZ5-20	5 Mpa	20 L	2.2 kW		
PWYZ7-15	7 Mpa	15 L	2.2 kW		
PWYZ10-15	10 Mpa	15 L	3.0 kW		
PWYZ14-9	14 Mpa	9 L	3.0 kW		