

9000 lbs 4 ton Heavy Duty Hydraulic Winch with tensioner, wire rope and hook.

Key features

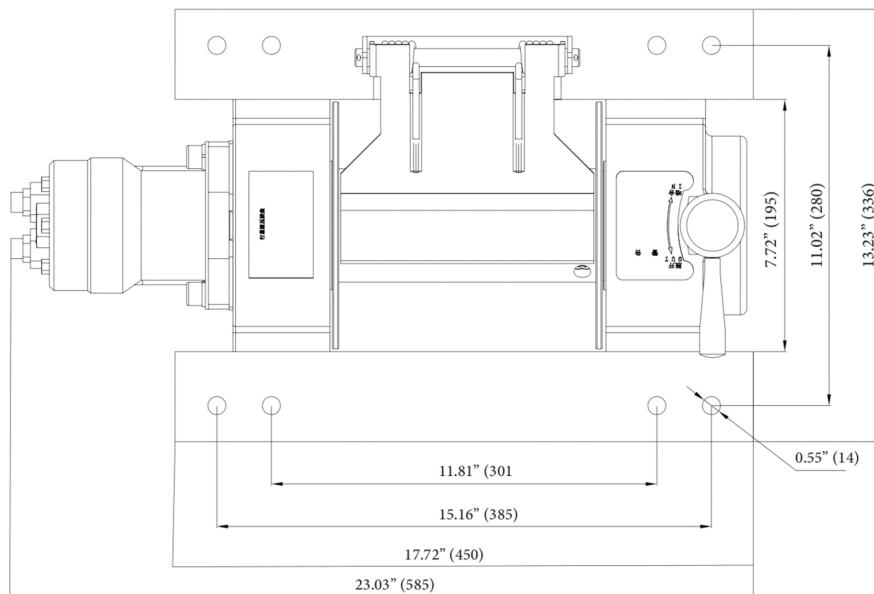
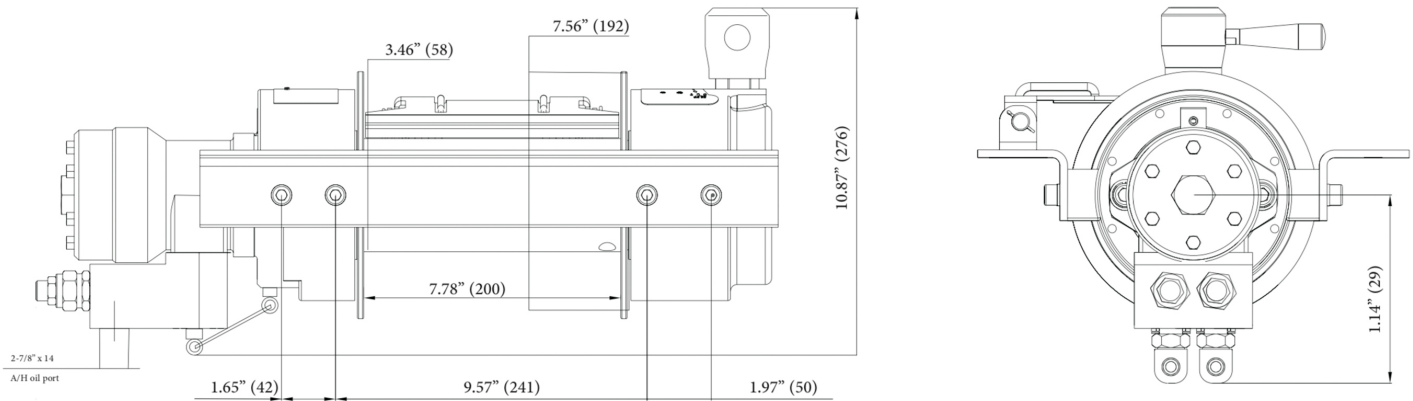
- High Capacity: Capable of handling up to 9,000 lbs (4 tons) for heavy-duty Pulling and pulling.
- Hydraulic Operation: Utilizes hydraulic power for smooth and efficient performance.
- Versatile Application: Suitable for various industrial, commercial, and off-road tasks.
- 3 Year Warranty, Customer Support and Service in the USA

Winch Description

This 4 Ton Hydraulic Winch, a powerhouse with exceptional features. With a robust 9,000-lb. rated line pull, it effortlessly tackles heavy-duty tasks. Equipped with a reliable disk brake, it ensures safe and controlled operation. The winch boasts an impressive IP67 Rating, making it resistant to dust and water. Its 2-stage planetary gear train system, featuring a 17.3:1 gear ratio, provides superior strength and efficiency. Conquer any challenge with this reliable and high-performance hydraulic winch.

Technical Specifications

1st Layer Rated Capacity	9000 lb / 4082 kg	Free Spooling Clutch Type	Manual
Speed (f/m) / min	29-39 ft/min / 9-12 m/min	Wire Rope	Ø13/32 in x 69 ft Ø10.3mm x 21m
Number of Speeds	Variable Speed	Standards Compliance	SAE-J706
Motor Type (68)	Hydraulic	Warranty	3 Year
IEC Motor Protection	IP67	Oil Pressure	1900 psi [13 Mpa]
Transmission / Reducer Type	2 Stages Planetary / 2 Etapas Planetario	Oil Flow	56 l/min [15 gal/min]
Gear Ratio	23 : 1		



9000lb Winch Line pull and cable capacity

Layer	Rated line pull (lbs)	Line Speed (m/min)	Cable Capacity (ft)
1	9000	9	18.37
2	7291	10.3	40.35
3	6215	12.1	69

Unit Weight & Dimensions

Packaging Weight & Dimensions

A Total Height	10.87 in	Package 1 Net Weight	121 lbs / 55 Kg
W Width	23 in	Package 1 Width	13 in / 33.02 cm
D Depth	14 in	Package 1 Gross Weight	127 lbs / 58 Kg
Total Unit Weight	121 lbs / 55 Kg	Package 1 Height	12 in / 30.48 cm
		Package 1 Length	23 in / 58.42 cm