

20 Ton Hydraulic Winch 45000 lbs.

Key features



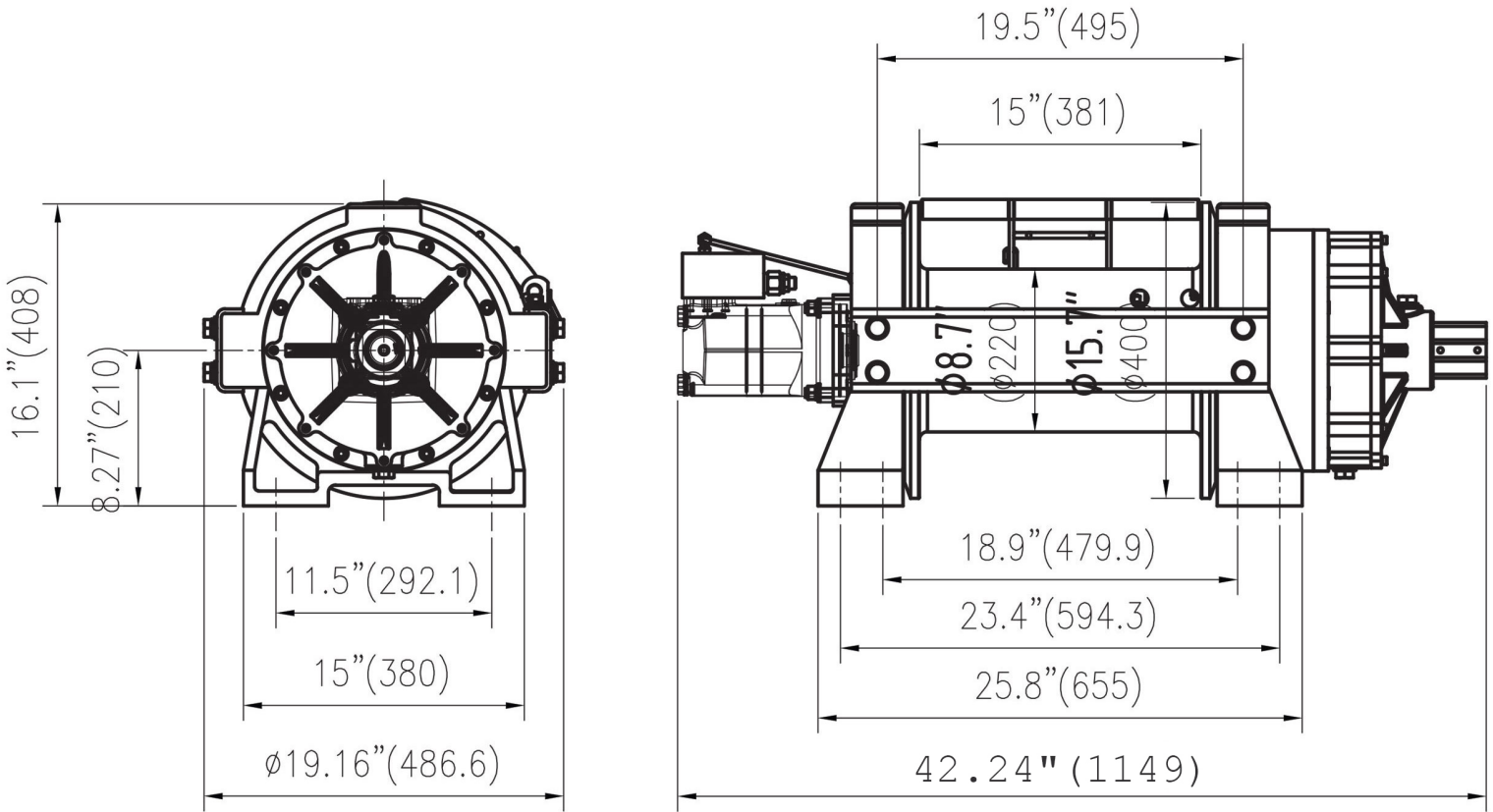
- High Capacity: Handles up to 20 tons (45,000 lbs) for demanding heavy-duty Pulling and pulling.
- Hydraulic Operation: Utilizes hydraulic power for smooth and efficient performance.
- Versatile Application: Ideal for a variety of industrial, commercial, and off-road uses.
- 3 Year Warranty, Customer Support and Service in the USA

Winch Description

This robust 20 Ton Hydraulic Winch offers a powerful 45,000 lbs Pulling capacity. Built for heavy-duty performance, it provides exceptional strength and reliability for demanding pulling tasks, ensuring efficient operation in tough conditions.

Technical Specifications

1st Layer Rated Capacity	45000 lb / 20412 kg	Free Spooling Clutch Type	Pneumatic
Speed (f/m) / min	12.5~20 ft/min 3.8~6 m/min	Recommended Wire Rope	ø7/8 in x 190 ft ø22 mm x 58 m
Number of Speeds	Variable Speed	Standards Compliance	SAE-J706
Motor Type (68)	Hydraulic	Warranty	3 Year
IEC Motor Protection	IP67	Oil Pressure	2465 psi [17 Mpa]
Transmission / Reducer Type	2 Stages Planetary / 2 Etapas Planetario	Oil Flow	85 l/min [22.5 gal/min]
Gear Ratio	30.4 : 1		



Rope Layers Capa de Cable	1	2	3	4
Line Pull Capacidad	45000 lb / 20412 kg	38571 lb / 17496 kg	33750 lb / 15309 kg	30000 lb / 13608 kg
Line Speed (per min) Velocidad (por min)	12.4 ft / 3.8 m	14.4 ft / 4.4 m	16.4 ft / 5 m	18.7 ft / 5.7 m

Unit Weight & Dimensions

A Total Height	15.75 in
W Width	47 in
D Depth	19 in
Total Unit Weight	732 lbs / 333 Kg

Packaging Weight & Dimensions

Package 1 Net Weight	732 lbs / 332 Kg
Package 1 Width	23 in / 58.42 cm
Package 1 Gross Weight	729 lbs / 331 Kg
Package 1 Height	23 in / 58.42 cm
Package 1 Length	51 in / 129.54 cm