

12.5 Ton Hydraulic Winch 25000 lbs.



Key features

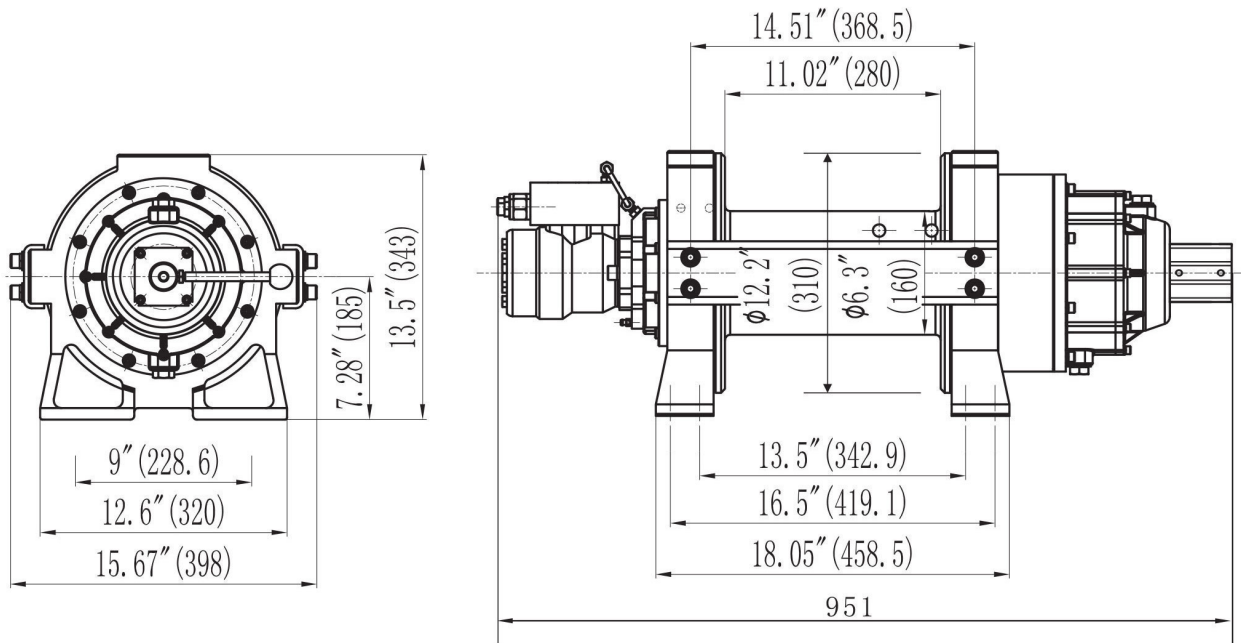
- High Capacity: Capable of Pulling up to 12.5 tons (25,000 lbs) for heavy-duty applications.
- Hydraulic Operation: Provides smooth and efficient performance with hydraulic power.
- Versatile Use: Suitable for a range of industrial, commercial, and off-road tasks.
- 3 Year Warranty, Customer Support and Service in the USA

Winch Description

This 12.5 Ton Hydraulic Winch, a powerhouse with exceptional features. With a robust 25,000-lb. rated line pull, it effortlessly tackles heavy-duty tasks. Equipped with a reliable disk brake, it ensures safe and controlled operation. The winch boasts an impressive IP67 Rating, making it resistant to dust and water. Its 2-stage planetary gear train system, featuring a 20:1 gear ratio, provides superior strength and efficiency. Conquer any challenge with this reliable and high-performance hydraulic winch.

Technical Specifications

1st Layer Rated Capacity	25000 lb / 11340 kg	Free Spooling Clutch Type	Pneumatic
Speed (f/m) / min	18~30 ft/min / 5.5~ 9 m/min	Recommended Wire Rope	ø5/8 in x 131 ft ø16 mm x 40 m
Number of Speeds	Variable Speed	Standards Compliance	SAE-J706
Motor Type (68)	Hydraulic	Warranty	3 Year
IEC Motor Protection	IP67	Oil Pressure	2465 psi [17 Mpa]
Transmission / Reducer Type	2 Stages Planetary / 2 Etapas Planetario	Oil Flow	70 l/min [18.5 gal/min]
Gear Ratio	20 : 1		



Rope Layers	1	2	3	4
Capas de Cable				
Line Pull Capacidad	25000 lb / 11340 kg	21153 lb / 9594 kg	18333 lb / 8315 kg	16174 lb / 7336 kg
Line Speed (per min) Velocidad (por min)	18 ft / 5.5 m	21.3 ft / 6.5 m	24.6 ft / 7.5 m	27.8 ft / 8.5 m

Unit Weight & Dimensions

A Total Height	13.5 in
W Width	37.4 in
D Depth	15.67 in
Total Unit Weight	379 lbs / 172 Kg

Packaging Weight & Dimensions

Package 1 Net Weight	379 lbs / 172 Kg
Package 1 Width	19 in / 48.26 cm
Package 1 Gross Weight	421 lbs / 191 Kg
Package 1 Height	21 in / 53.34 cm
Package 1 Length	41 in / 104.14 cm