

Adjustable Spreader Lifting Beam 4000 lb / 2 ton - 96 in Max Spread

Key features

- High Load Capacity
- Adjustable Spread
- High-quality Construction
- ASME B30.20 AND ASME BTH-1 STANDARDS
- 3 Year Warranty, Customer Support and Service in the USA



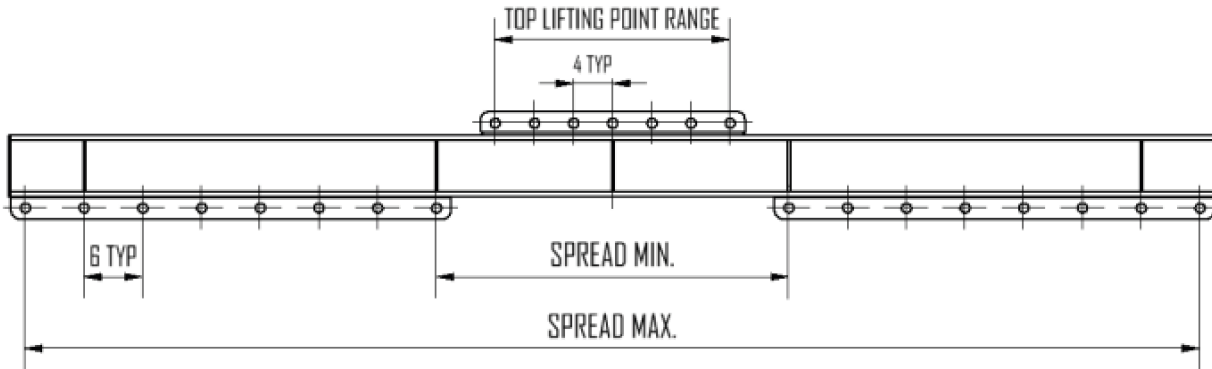
Spreader Beam Description

Prowinch Lifting and Spreader Beams are designed to enhance your lifting operations with safety and efficiency. Whether you need to lift heavy and uneven loads or ensure level positioning, our beams provide the ideal solution. Choose from a variety of models, including adjustable, modular, and two-position beams. With different load capacities, adjustable spreads, and customizable headroom options, these beams are tailored to fit your specific application.

Technical Specifications

| | | | |
|-----------------------------|----------------------------|-----------------|--------|
| Rated Load Capacity | 4000 lbs / 2 tons | Warranty | 3 Year |
| Standards Compliance | ASME B30.20 AND ASME BTH-1 | | |

PWYG



| MODEL | Cap (lb) | MAX SPREAD (in) | MIN SPREAD (in) | TOP LIFTING POINT RANGE (in) | WEIGHT (lbs) |
|--------------|----------|-----------------|-----------------|------------------------------|--------------|
| PWYG1000-48 | 1000 | 48 | 12 | 16 | 81 |
| PWYG1000-72 | 1000 | 72 | 36 | 16 | 111 |
| PWYG1000-96 | 1000 | 96 | 36 | 24 | 151 |
| PWYG1000-120 | 1000 | 120 | 36 | 24 | 186 |
| PWYG2000-48 | 2000 | 48 | 12 | 16 | 83 |
| PWYG2000-72 | 2000 | 72 | 36 | 24 | 116 |
| PWYG2000-96 | 2000 | 96 | 36 | 24 | 192 |
| PWYG2000-120 | 2000 | 120 | 36 | 24 | 239 |
| PWYG4000-48 | 4000 | 48 | 12 | 16 | 105 |
| PWYG4000-72 | 4000 | 72 | 36 | 24 | 149 |
| PWYG4000-96 | 4000 | 96 | 36 | 24 | 241 |
| PWYG4000-120 | 4000 | 120 | 36 | 24 | 364 |
| PWYG8000-72 | 8000 | 72 | 36 | 32 | 285 |
| PWYG8000-96 | 8000 | 96 | 36 | 32 | 375 |
| PWYG8000-120 | 8000 | 120 | 36 | 32 | 537 |

