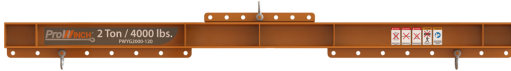


Adjustable Spreader Lifting Beam 2000 lb / 1 ton - 120 in Max Spread

Key features

- High Load Capacity
- Adjustable Spread
- High-quality Construction
- ASME B30.20 AND ASME BTH-1 STANDARDS
- 3 Year Warranty, Customer Support and Service in the USA

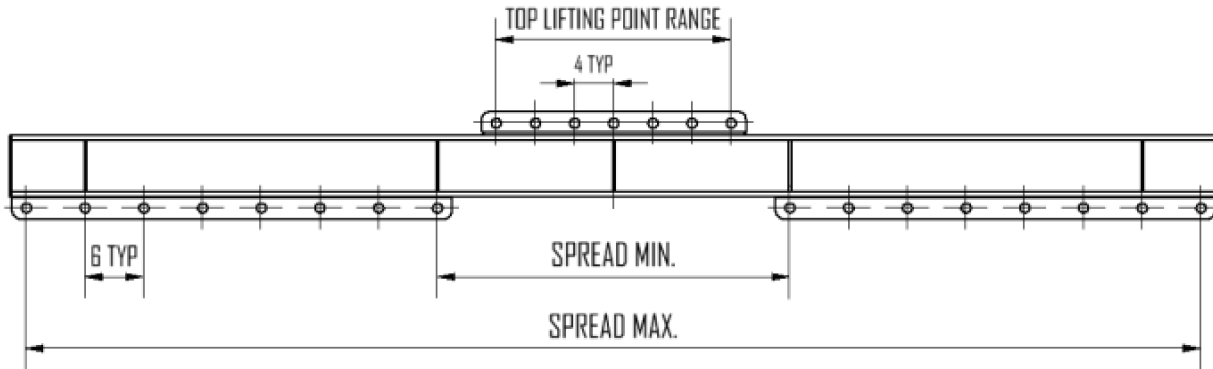


Spreader Beam Description

Prowinch Lifting and Spreader Beams are designed to enhance your lifting operations with safety and efficiency. Whether you need to lift heavy and uneven loads or ensure level positioning, our beams provide the ideal solution. Choose from a variety of models, including adjustable, modular, and two-position beams. With different load capacities, adjustable spreads, and customizable headroom options, these beams are tailored to fit your specific application.

Technical Specifications

Rated Load Capacity	2000 lbs / 1 ton	Warranty	3 Year
Standards Compliance	ASME B30.20 AND ASME BTH-1		

PWYG


MODEL	Cap (lb)	MAX SPREAD (in)	MIN SPREAD (in)	TOP LIFTING POINT RANGE (in)	WEIGHT (lbs)
PWYG1000-48	1000	48	12	16	81
PWYG1000-72	1000	72	36	16	111
PWYG1000-96	1000	96	36	24	151
PWYG1000-120	1000	120	36	24	186
PWYG2000-48	2000	48	12	16	83
PWYG2000-72	2000	72	36	24	116
PWYG2000-96	2000	96	36	24	192
PWYG2000-120	2000	120	36	24	239
PWYG4000-48	4000	48	12	16	105
PWYG4000-72	4000	72	36	24	149
PWYG4000-96	4000	96	36	24	241
PWYG4000-120	4000	120	36	24	364
PWYG8000-72	8000	72	36	32	285
PWYG8000-96	8000	96	36	32	375
PWYG8000-120	8000	120	36	32	537