



9 Ton Lever Chain Hoist 10 ft G80 Chain

Key features

- **Lifting Capacity:** Supports loads up to 9 tons (18,000 lbs), making it suitable for demanding lifting and pulling operations.
- **Lifting Height:** Features a 10-foot chain, providing significant reach for various applications while maintaining operational efficiency.
- **Heavy-Duty Construction:** Built from high-quality materials designed to withstand rigorous use, ensuring long-lasting performance and durability.
- **CE Certified by TUV Rheinland**
- **3 Year Warranty, Customer Support and Service in the USA**

Lever Chain Hoist Description

The 9 Ton Lever Chain Hoist is a powerful and durable lifting solution tailored for heavy-duty applications. With a lifting capacity of 9 tons (18,000 lbs) and a 10-foot G80 chain, this hoist is ideal for a wide range of industrial and commercial tasks that require robust performance and reliability.

Prowinch Lever Chain Hoist

All of our **Lever Chain Hoists** are created with the goal of offering the best price-performance ratio. Key components such as lifespan factors are constantly tested and improved in order to offer the best product for the price.

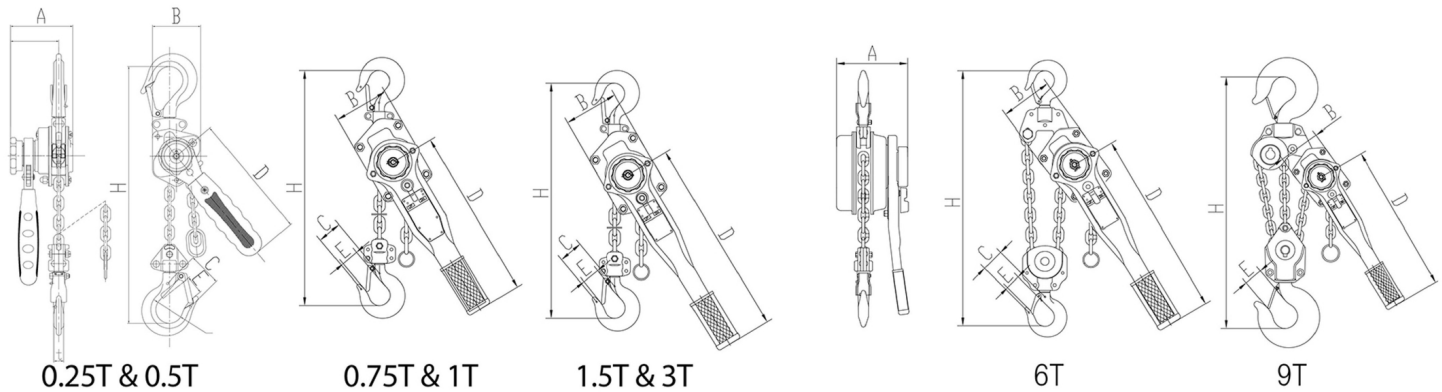
Braking System

The reliable double pawl brake system is tested at 125% of the hoist capacity.

Technical Specifications

Rated Load Capacity	19842 lb / 9000 kg	Load Chain Size	Ø10 mm
Standard Lifting Height	5 ft / 1.5 m	Chain Falls	3
Lever Force	77 lb / 35 kg	Standards Compliance	ANSI/ASME B30.21, EN13157, ISO 16877-2008
Load Chain Type	G80	Warranty	3 Year

MODEL	PWYAL025	PWYAL050	PWYAL075	PWYAL100	PWYAL150	PWYAL300	PWYAL600	PWYAL900
A	3.1 in / 78.5mm	3.7 in / 95mm	5.8 in / 148mm		6.8 in / 172mm	7.9 in / 200mm		
B	2.4 in / 62mm	2.7 in / 68mm	3.5 in / 90mm		3.9 in / 98mm	4.5 in / 115mm		
C	1.4 in / 36mm	1.7 in / 42mm	1.5 in / 37mm	1.7 in / 45mm	1.9 in / 47mm	2.5 in / 63mm	3.1 in / 78mm	
D	5.9 in / 150mm	8.4 in / 215mm	11 in / 280mm		16.1 in / 410mm			
E	0.8 in / 21mm	0.9 in / 24.5mm	1.1 in / 28mm	1.2 in / 33mm	1.5 in / 33.5mm	1.7 in / 43.5mm	2.0 in / 51mm	2.5 in / 64mm
H	8.3 in / 210mm	10 in / 255mm	12.7 in / 325mm	12.7 in / 325mm	15 in / 380mm	19 in / 480mm	24.5 in / 620mm	27 in / 690mm



Unit Weight & Dimensions

Total Unit Weight 90 lbs / 41 Kg

Packaging Weight & Dimensions

Package 1 Net Weight 90 lbs / 41 Kg
Package 1 Width 14 in / 35.56 cm
Package 1 Gross Weight 115 lbs / 52 Kg
Package 1 Height 8 in / 20.32 cm
Package 1 Length 22 in / 55.88 cm