



## 1/4 Ton Mini Lever Chain Hoist 5 ft. G80 Chain

### Key features

- **Lifting Capacity:** Supports loads up to 1/4 ton (500 lbs), making it suitable for light to moderate lifting and pulling operations.
- **Durable G80 Chain:** Equipped with high-strength G80 chain for enhanced safety and reliability during lifting.
- **Versatile Applications:** Ideal for use in workshops, garages, and small construction sites for lifting, pulling, and securing items.
- **3 Year Warranty, Customer Support and Service in the USA**

### Lever Chain Hoist Description

The 1/4 Ton Mini Lever Chain Hoist is a compact and efficient lifting solution designed for light to moderate lifting tasks. With a lifting capacity of 1/4 ton and a 5-foot G80 chain, this hoist is perfect for various applications in confined spaces or when portability is essential.

### Prowinch Lever Chain Hoist

All of our **Lever Chain Hoists** are created with the goal of offering the best price-performance ratio. Key components such as lifespan factors are constantly tested and improved in order to offer the best product for the price.

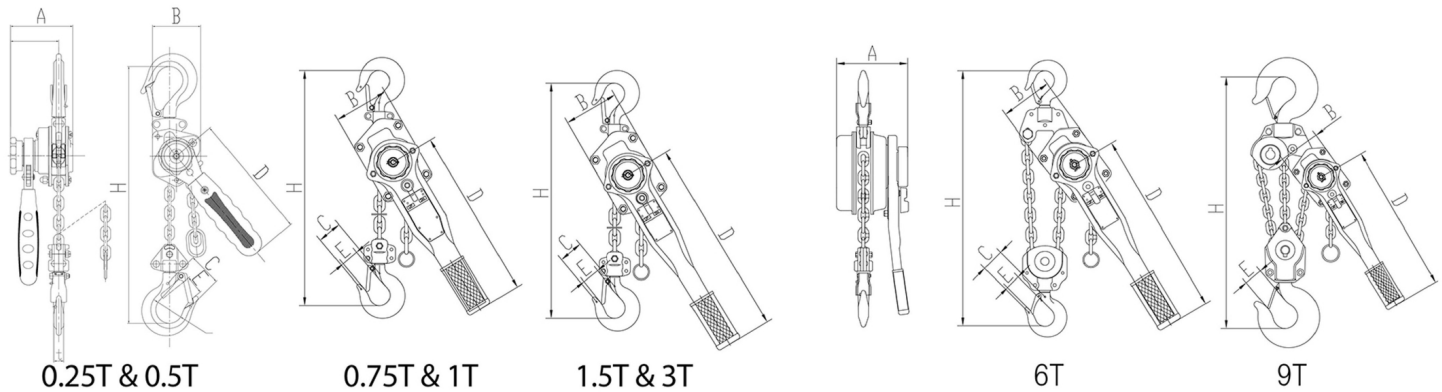
### Braking System

The reliable double pawl brake system is tested at 125% of the hoist capacity.

## Technical Specifications

<b>Rated Load Capacity</b>	551 lb / 250 kg	<b>Load Chain Size</b>	Ø 4 mm
<b>Standard Lifting Height</b>	5 ft / 1.5 m	<b>Chain Falls</b>	1
<b>Lever Force</b>	60 lbs / 27 kg	<b>Standards Compliance</b>	ANSI/ASME B30.21, EN13157, ISO 16877-2008
<b>Load Chain Type</b>	G80	<b>Warranty</b>	3 Year

MODEL	PWYAL025	PWYAL050	PWYAL075	PWYAL100	PWYAL150	PWYAL300	PWYAL600	PWYAL900
<b>A</b>	3.1 in / 78.5mm	3.7 in / 95mm	5.8 in / 148mm		6.8 in / 172mm	7.9 in / 200mm		
<b>B</b>	2.4 in / 62mm	2.7 in / 68mm	3.5 in / 90mm		3.9 in / 98mm	4.5 in / 115mm		
<b>C</b>	1.4 in / 36mm	1.7 in / 42mm	1.5 in / 37mm	1.7 in / 45mm	1.9 in / 47mm	2.5 in / 63mm	3.1 in / 78mm	
<b>D</b>	5.9 in / 150mm	8.4 in / 215mm	11 in / 280mm		16.1 in / 410mm			
<b>E</b>	0.8 in / 21mm	0.9 in / 24.5mm	1.1 in / 28mm	1.2 in / 33mm	1.5 in / 33.5mm	1.7 in / 43.5mm	2.0 in / 51mm	2.5 in / 64mm
<b>H</b>	8.3 in / 210mm	10 in / 255mm	12.7 in / 325mm	12.7 in / 325mm	15 in / 380mm	19 in / 480mm	24.5 in / 620mm	27 in / 690mm



## Unit Weight & Dimensions

**Total Unit Weight**      4 lbs / 2 Kg

## Packaging Weight & Dimensions

**Package 1 Net Weight**      4 lbs / 2 Kg

**Package 1 Width**      3 in / 7.62 cm

**Package 1 Gross Weight**      4 lbs / 2 Kg

**Package 1 Height**      3 in / 7.62 cm

**Package 1 Length**      7 in / 17.78 cm