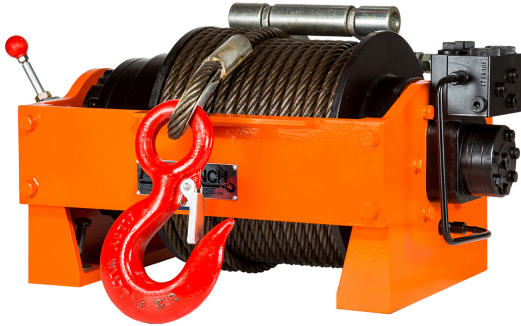


15000 lbs. 6.9 Tons Hydraulic Winch. 3 Year Warranty

Key features

- High Capacity: Capable of lifting up to 15,000 lbs. (6.9 tons), making it suitable for heavy-duty applications.
- Powerful Hydraulic System: Ensures efficient and reliable operation for demanding tasks.
- Durable Construction: Built to withstand tough conditions and provide long-lasting performance.
- 3 Year Warranty, Customer Support and Service in the USA



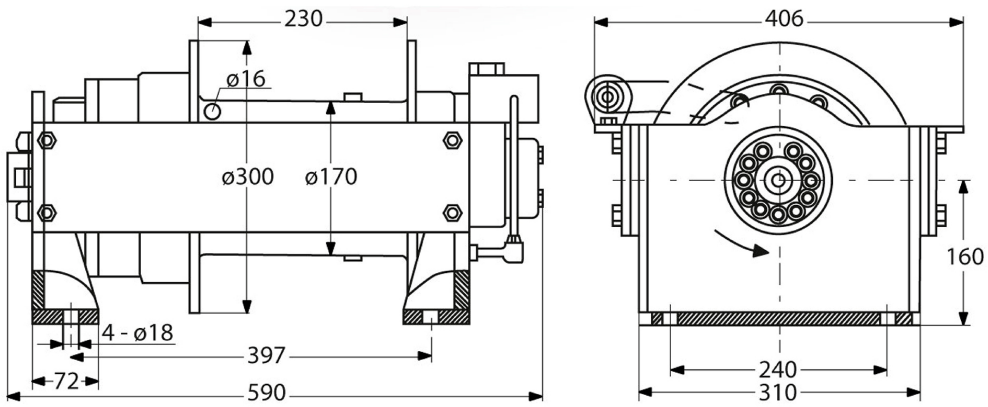
Winch Description

This powerful hydraulic winch boasts a 15,000 lbs (6.9 tons) lifting capacity and is built for heavy-duty performance. It comes with a 3-year warranty, ensuring reliability and peace of mind. Ideal for demanding lifting and pulling tasks, this winch combines strength and durability with excellent support.

Technical Specifications

1st Layer Rated Capacity	15286 lb / 6934 kg	Wire Rope	ø5/8 in x 147.6 ft ø14 mm x 45 m
Speed (f/m) / min	25 ft / 7.5 m	Standards Compliance	Military/Militar GJB82-86
Number of Speeds	1 Speed	Warranty	3 Year
Motor Type (68)	Military/Militar GJB82-86 / ASME B30.7	Oil Pressure	140 bar / 2030 psi
IEC Motor Protection	IP67	Oil Flow	14.5 gpm / 55 l/min

PWY068



Dimensions in mm / Dimensiones en mm

Imágenes Referenciales

Layers / Capas	m x Layer / Capa	Line Pull / Capacidad	Speed / Velocidad / min
1	44 ft / 13.3 m	14991 lb / 6800 kg	25 ft / 7.5 m
2	92 ft / 28.0 m	13012 lb / 5902 kg	28 ft / 8.6 m
3	145 ft / 44.2 m	11493 lb / 5213 kg	32 ft / 9.9 m
4	203 ft / 61.8 m	10293 lb / 4669 kg	36 ft / 10.9 m



Unit Weight & Dimensions

Total Unit Weight	330 lbs / 150 Kg
--------------------------	------------------

Packaging Weight & Dimensions

Package 1 Net Weight	330 lbs / 150 Kg
Package 1 Width	19 in / 48.26 cm
Package 1 Gross Weight	363 lbs / 165 Kg
Package 1 Height	19 in / 48.26 cm
Package 1 Length	30 in / 76.2 cm