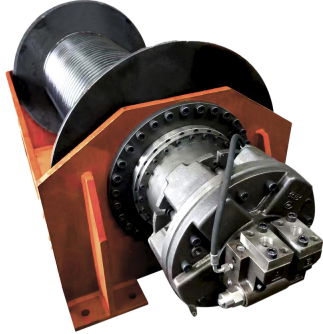


3 Ton Fast Hydraulic Winch 46 m/min



Key features

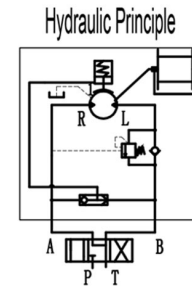
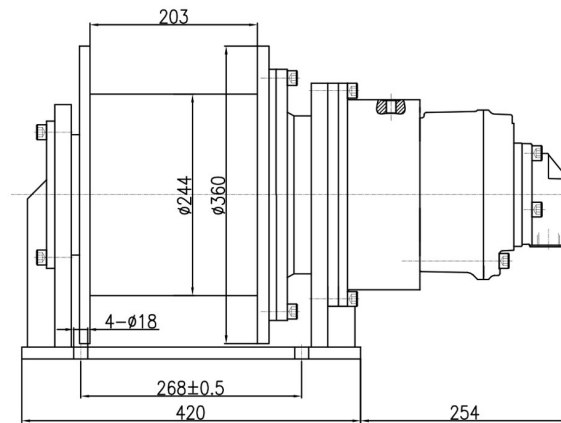
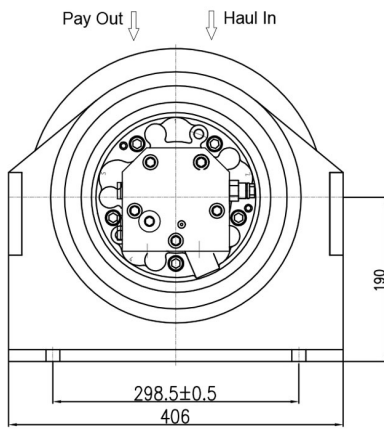
- Load Capacity: Handles up to 3 tons (6,000 lbs), suitable for heavy-duty lifting and pulling tasks.
- High Speed: Operates at a speed of 46 meters per minute, allowing for rapid and efficient operation.
- Hydraulic Operation: Powered by a hydraulic system, providing strong, reliable, and smooth performance.
- 3 Year Warranty, Customer Support and Service in the USA

Winch Description

This 3-ton fast hydraulic winch offers a high-speed operation of up to 46 meters per minute, making it ideal for rapid lifting and pulling tasks. Engineered for efficiency and reliability, it delivers powerful performance for various industrial and heavy-duty applications.

Technical Specifications

1st Layer Rated Capacity	6856 lb / 3110 kg	Gear Ratio	1:20
Speed (f/m) / min	150 ft / 46 m /min	Wire Rope	Ø 16 mm x 34 m
Number of Speeds	1 Speed	Standards Compliance	ASME B30.7
Motor Type (68)	GM1-90 Hydraulic	Warranty	3 Year



A Port: M22*1.5
 B Port: M22*1.5
 T Discharge Port: G1/4"