



## 1/2 ton 1100 lb 110V Electric Wire Rope Hoist 38 ft. w/ Power Trolley H1 Duty Wireless

### Key features

- Load Capacity: 1/2 Ton (1100 lbs), suitable for lifting and moving medium-weight loads.
- Voltage: Operates on 110V, compatible with standard North American power supplies.
- Wireless Control: Comes with a wireless remote control for convenient and flexible operation without being tethered.
- 1 Year Warranty, Customer Support and Service in the USA

### Electric Wire Rope Hoist with Power Trolley Description

The **Prowinch 1/2 ton Wire Rope Hoist with Power Trolley** allows you to easily lift heavy loads. The single phase electrical connection allows for quick and simple setup and is perfect for use in a wide variety of situations. The wireless remote offers added convenience, allowing you to operate the hoist and trolley from up to 100 feet away.

### Prowinch Electric Wire Rope Hoists with Trolley

All of our electric wire rope hoists are created with the goal of offering the best price-performance ratio. Key components such as lifespan factors are constantly tested and improved in order to offer the best product for the price.

### Key Components

All internal components have been upgraded to meet the highest quality standards. All testing is performed in the US before shipping to ensure that every unit meets the corresponding standard.

### Duty Classification

Duty classification is a key factor when choosing the right unit. This H1 electric wire rope hoist is suitable for infrequent handling, installing and servicing heavy equipment, and idling for long periods between use. For uniformly distributed work periods, the hoist has a 12.5% max. operational time per hour and can handle up to 75 starts per hour. When being used for infrequent work periods, the hoist can be operated for 15 minutes from a cold start with up to 100 starts per hour. Operational time ratings are calculated at a 65% load factor, as per ASME Standards.

### Control System

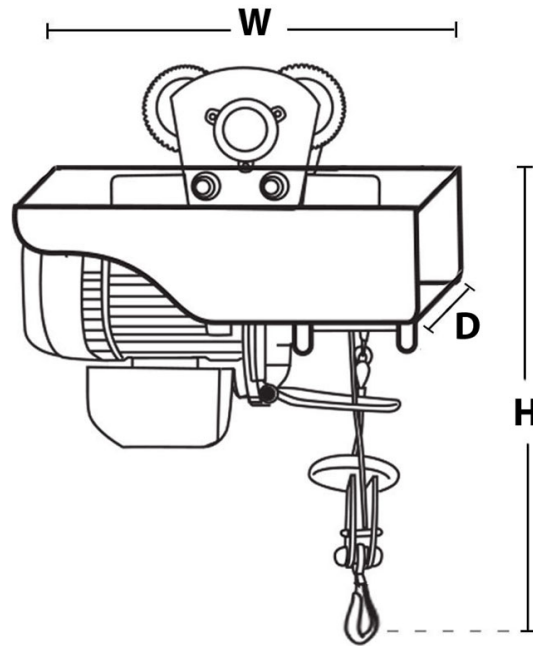
This electric wire rope hoist comes standard with an industrial wireless remote control, which is waterproof, shockproof, and can be operated from 100 feet away. It also features a safety key and emergency stop button.

### Braking System

The electromagnetic brake system is tested at 125% of the hoist capacity and is designed to automatically engage immediately upon any loss of power.

## Technical Specifications

<b>Rated Load Capacity</b>	1100 lb @ 2 lines   550 lb @ 1 line	<b>Control</b>	Wireless F21 Remote Control
<b>Standard Lifting Height</b>	40ft single line / 20ft double line (12m / 6m)	<b>Control Voltage</b>	110 V
<b>Speed (f/m) / min</b>	33 ft/10m @1line   16ft/5m @2line	<b>Wire Rope</b>	ø3/16 in   ø4.3 mm
<b>Number of Speeds</b>	1 Speed	<b>Humidity</b>	<85%
<b>Voltage</b>	1 Phase 110~120V 60Hz	<b>Temperature</b>	-4°~104° F / -20°~40° C
<b>FCC ID</b>	OFNF21	<b>Noise Level</b>	71 dB
<b>Duty Class</b>	H1/M2/1Cm/Class A	<b>Trolley Speed /min</b>	52 ft / 16 m
<b>Motor Type (68)</b>	Squirrel Cage Induction Motor	<b>Trolley Number of Speeds</b>	1
<b>Motor Power (6)</b>	1000 W	<b>I-Beam Width Range</b>	2-4.5 in / 50-114 mm (Extension Kit Available)
<b>Motor AMP</b>	8.5 AMP	<b>Minimum Turn Radius</b>	2.62 ft / .8 m
<b>Motor Brake</b>	YES	<b>Standards Compliance</b>	Intertek 4006091 , EN 55014-1:2017, EN 55014-2:2015, EN IEC 61000-3-2:2019, EN 61000-3-3:2013
<b>Insulation Grade</b>	B	<b>Warranty</b>	1 Year
<b>IEC Motor Protection</b>	IP40		



## Unit Weight & Dimensions

<b>H Minimum Headroom</b>	14.6 in / 373 mm
<b>W Width</b>	14.3 in / 365 mm
<b>D Depth</b>	12.0 in / 305 mm
<b>X Wheels Diameter</b>	3 in.
<b>Total Unit Weight</b>	72 lbs / 33 Kg

## Packaging Weight & Dimensions

<b>Package 1 Net Weight</b>	72 lbs / 33 Kg
<b>Package 1 Width</b>	19 in / 48.26 cm
<b>Package 1 Gross Weight</b>	75 lbs / 34 Kg
<b>Package 1 Height</b>	20 in / 50.8 cm
<b>Package 1 Length</b>	22 in / 55.88 cm