



7040 lbs. Lever Cable / Wire Rope Puller Hoist 65 ft. Aluminium Body Light Weight

Key features

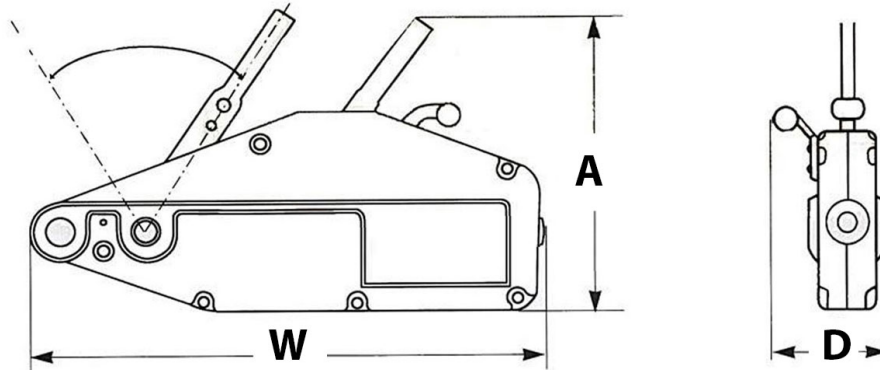
- **Lifting Capacity:** Supports loads up to 7040 lbs, making it perfect for heavy-duty lifting and pulling operations.
- **Wire Rope Length:** Features an extensive 65-foot wire rope, providing significant reach for various applications.
- **Includes Adjustable Lever and Galvanized Steel Wire Rope with Forged Hook**
- **Standard ASME/ANSI B30.21**
- **3 Year Warranty, Customer Support and Service in the USA**

Lever Cable / Wire Rope Puller Hoist Description

The 7040 lbs Lever Cable/Wire Rope Puller Hoist is a high-performance tool designed for heavy-duty lifting and pulling tasks. With a generous wire rope length of 65 feet and a lightweight aluminium body, this hoist combines strength and portability, making it ideal for various industrial and commercial applications.

Technical Specifications

Wire Rope	Ø 0.62 in x 65 ft	Warranty	3 Year
Standards Compliance	ASME/ANSI B30.21		



Referential Images
Specifications may change without notice

Unit Weight & Dimensions

A Total Height	325 mm
W Width	660 mm
D Depth	116 mm
Total Unit Weight	132 lbs / 60 Kg

Packaging Weight & Dimensions

Package 1 Net Weight	132 lbs / 60 Kg
Package 1 Width	4 in / 10.16 cm
Package 1 Gross Weight	134 lbs / 61 Kg
Package 1 Height	13 in / 33.02 cm
Package 1 Length	26 in / 66.04 cm