

3520 lbs. Lever Cable / Wire Rope Puller Hoist 65 ft. Steel body

Key features

- Lifting Capacity: Supports loads up to 3520 lbs, making it suitable for medium to heavy-duty lifting and pulling tasks.
- Wire Rope Length: Features a generous 65-foot wire rope, providing ample reach for various applications.
- Includes Adjustable Lever and Galvanized Steel Wire Rope with Forged Hook
- Standard ASME/ANSI B30.21
- 3 Year Warranty, Customer Support and Service in the USA

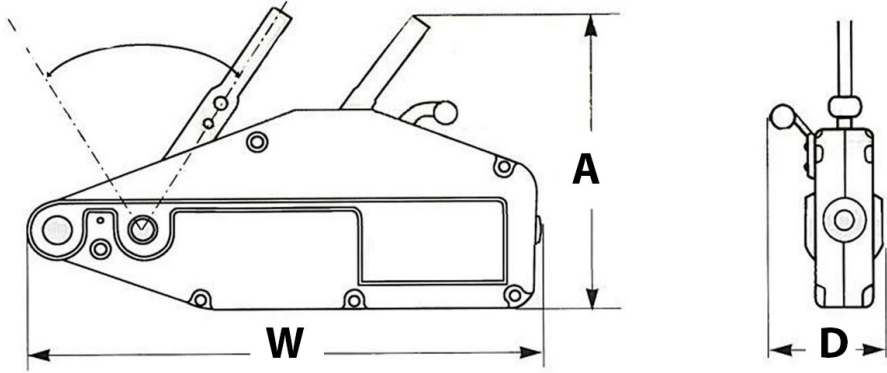


Lever Cable / Wire Rope Puller Hoist Description

The 3520 lbs Lever Cable/Wire Rope Puller Hoist is a robust and reliable tool designed for heavy lifting and pulling applications. With an impressive wire rope length of 65 feet and a durable steel body, this hoist is perfect for various tasks in industrial, commercial, and outdoor settings.

Technical Specifications

Wire Rope	Ø 0.43 in x 65 ft	Warranty	3 Year
Standards Compliance	ASME/ANSI B30.21		



Referential Images
Specifications may change without notice

Unit Weight & Dimensions

A Total Height	284 mm
W Width	545 mm
D Depth	97 mm
Total Unit Weight	26 lbs / 12 Kg

Packaging Weight & Dimensions

Package 1 Net Weight	26 lbs / 12 Kg
Package 2 Width	31 in / 78.74 cm
Package 1 Gross Weight	26 lbs / 12 Kg
Package 2 Height	31 in / 78.74 cm
Package 1 Length	22 in / 55.88 cm
Package 3 Gross Weight	100 lbs / 45 Kg
Package 1 Width	3 in / 7.62 cm
Package 3 Length	14 in / 35.56 cm
Package 1 Height	11 in / 27.94 cm
Package 3 Width	3 in / 7.62 cm
Package 2 Length	31 in / 78.74 cm
Package 3 Height	14 in / 35.56 cm