



3000 Lb Dual Gear Manual Hand Winch 33 ft. Strap and Hook

Key features

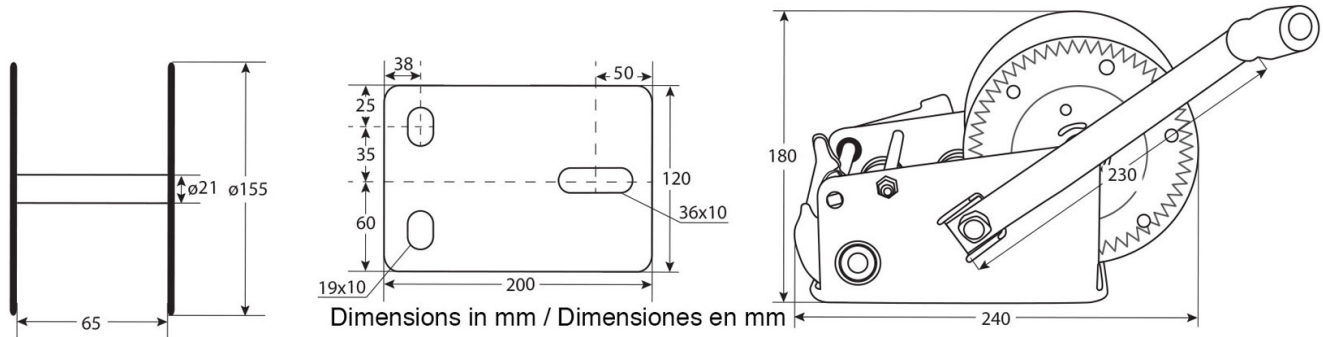
- High Load Capacity: Handles up to 3,000 lbs for substantial lifting and pulling tasks.
- Dual Gear System: Features a dual gear mechanism for increased power and efficiency.
- Manual Operation: Operates manually, ideal for use where power sources are not available.
- 6 Month Warranty, Customer Support and Service in the USA

Winch Description

This dual gear manual hand winch offers a robust 3,000 lb capacity and comes with a 33 ft strap and hook for versatile use. Designed for efficient and reliable operation, it provides smooth gear engagement and dependable performance for various lifting and pulling tasks.

Technical Specifications

1st Layer Rated Capacity	3000 lb / 1360 kg	Gear Ratio	5.1:1~12.2:1
Number of Speeds	1 Speed	Warranty	6 Month
Motor Type (68)	Manual Crank		



Imágenes Referenciales
Image Reference

Unit Weight & Dimensions

Total Unit Weight	11 lbs / 5 Kg
--------------------------	---------------

Packaging Weight & Dimensions

Package 1 Net Weight	11 lbs / 5 Kg
Package 1 Width	5 in / 12.7 cm
Package 1 Gross Weight	13 lbs / 6 Kg
Package 1 Height	7 in / 17.78 cm
Package 1 Length	10 in / 25.4 cm