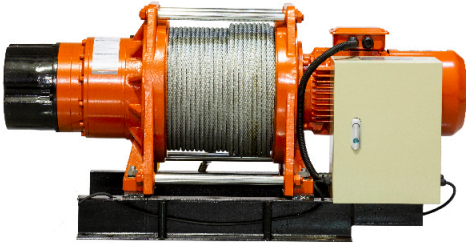


Personnel Winch 750Kg Vel. programmable 3 brakes



Key features

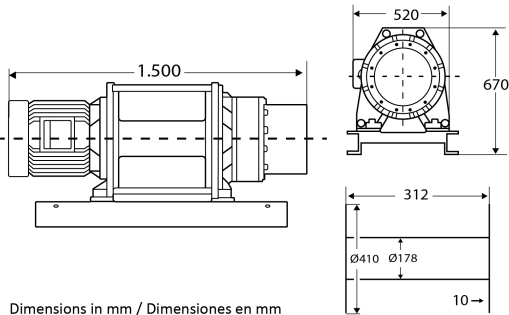
- Load Capacity: Supports up to 750 kg (1,650 lbs), ideal for personnel lifting and handling.
- Programmable Speed: Allows for precise control of lifting and lowering speeds, accommodating specific operational needs.
- Durable Construction: Made from high-quality materials for durability and reliable performance in various conditions.
- 3 Year Warranty, Customer Support and Service in the USA

Winch Description

This personnel winch supports a 750 kg capacity and features programmable speed settings for precise control. Equipped with three brakes, it ensures enhanced safety and reliable performance for various lifting and pulling tasks.

Technical Specifications

1st Layer Rated Capacity	6300 lb / 2900 kg (Not Personnel)	Control Voltage	24 v
Speed (f/m) / min	6~49 ft / 2~15 m	Drum Brake	Optional
Number of Speeds	Variable Speed	Humidity	<85%
Voltage	3 Phase 208~240/440~480V 50/60Hz	Standards Compliance	ASMEB30.7 / B30.10/ B30.23/ ANSI-AWS D14.3/ RR-W-410E/ ISO2232,2006/95/CE, EN 61.800-5-1/ DIN VDE T 105, EN 60439-1/ VDE 0660, Part/Parte 500&EN 60146/VDE 0558
IEC Motor Protection	Motor IP54 / Control Box IP65	Warranty	3 Year
Control	Pendant Control / Botonera		



	Layer / Capa	Rope on drum / Mts x Capa	General Load Capacity / Capacidad Carga General	Speed / Velocidad (per min)	Personnel Lifting Capacity / Capacidad de Izaje Personal
INCLUIDO/INCLUDED	1	44 ft / 13 m	6449 lb / 2925 kg	34.9 ft / 10.6 m	750 kg
	2	94 ft / 29 m	5713 lb / 2591 kg	39.3 ft / 12 m	750 kg
	3	149 ft / 45 m	5127 lb / 2326 kg	43.8 ft / 13.4 m	750 kg
	4	201 ft / 64 m	4651 lb / 2110 kg	48.3 ft / 14.7 m	750 kg
	5	277 ft / 84 m	4256 lb / 1930 kg	52.8 ft / 16.1 m	750 kg
	6	349 ft / 106 m	3922 lb / 1779 kg	57.3 ft / 17.5 m	750 kg
	7	427 ft / 130 m	3637 lb / 1650 kg	61.8 ft / 18.8 m	750 kg
	8	511 ft / 156 m	3391 lb / 1538 kg	66.3 ft / 20.2 m	750 kg