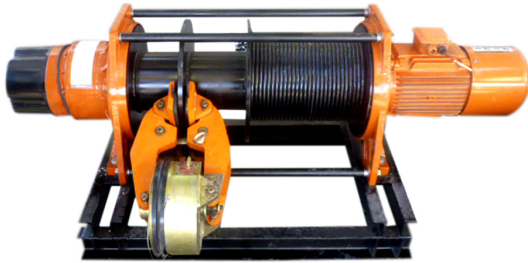


2420 lbs. 1.100 Kg. Personnel Winch 4 Brakes Full Program Control Variable Speed



Key features

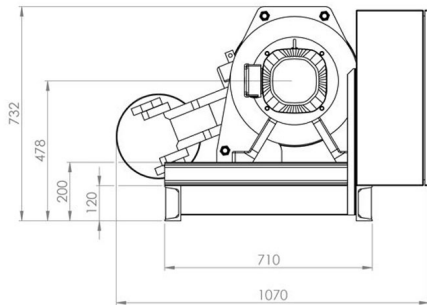
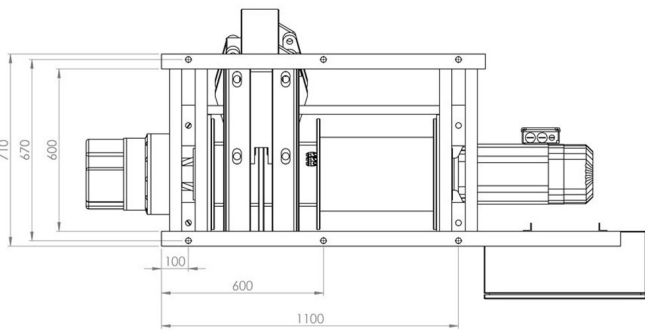
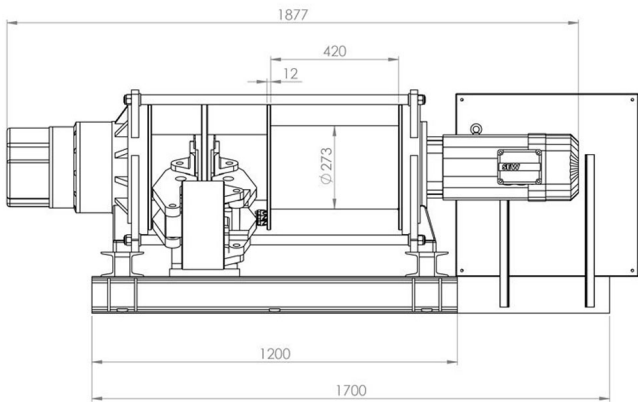
- Load Capacity: Lifts or pulls up to 2,420 lbs (1,100 kg), specifically designed for safe and efficient personnel handling.
- Full Program Control: Offers comprehensive control over lifting and lowering operations, allowing for precise and customizable management.
- Variable Speed: Features adjustable speed settings for smooth, controlled operation, accommodating various lifting needs.
- 3 Year Warranty, Customer Support and Service in the USA

Winch Description

This personnel winch provides a 2,420 lbs (1,100 kg) capacity and is equipped with a comprehensive braking system featuring four brakes for maximum safety. It includes full program control and variable speed settings, offering precise and adaptable performance for controlled lifting and pulling tasks in various applications.

Technical Specifications

1st Layer Rated Capacity	9645 lb / 4375 kg (Carga General)	Control Voltage	24 v
Speed (f/m) / min	0.~ 65 ft/min / 0 ~ 21 m/min	Gear Ratio	127:1
Number of Speeds	Variable Speed	Drum Brake	>125% (load lift capacity / capacidad de izaje de carga)
Voltage	3 Phase 208~240/440~480V 50/60Hz	Humidity	<85%
IEC Motor Protection	Motor IP55 / Control Box IP65	Standards Compliance	ASMEB30.7 / B30.10/ B30.23/ ANSI-AWS D14.3/ RR-W-410E/ ISO2232,2006/95/CE, EN 61.800-5-1/ DIN VDE T 105, EN 60439-1/ VDE 0660, Part/Parte 500&EN 60146/VDE 0558
Control	Multifunction Programable Control Desk / Pupitre de Control Programable	Warranty	3 Year



Rope Diameter / Diámetro del Cable :		9/16 in 14.2 mm		
Nominal Strength / Resistencia Nominal :		32794 lb / 14875 kg		
Rope Weight x ft / Peso del cable x m :		0.59 lb / 0.9 kg		
OPTIONAL/OPCIONAL	Layer / Capa	Rope on drum / Mts x Capa	Lifting x layer / Cap x Capa	Speed / Velocidad (per min)
	1	55 ft / 17 m	9645 lb / 4375 kg	34.9 ft / 10.6 m
	2	117 ft / 36 m	8467 lb / 3841 kg	39.7 ft / 12.1 m
	3	188 ft / 57 m	7545 lb / 3422 kg	44.6 ft / 13.6 m
	4	265 ft / 81 m	6804 lb / 3086 kg	49.4 ft / 15.1 m
	5	351 ft / 107 m	6196 lb / 2811 kg	54.3 ft / 16.5 m
	6	444 ft / 135 m	5688 lb / 2580 kg	59.1 ft / 18.0 m
	7	544 ft / 166 m	5256 lb / 2384 kg	64.0 ft / 19.5 m
8	653 ft / 199 m	4886 lb / 2216 kg	68.8 ft / 21.0 m	

Service/Servicio	Load/Carga	Time/Tiempo	Maintenance/ Mantenimiento
Normal	< 65%	< 25%	6~12 (months/meses)
Heavy/Pesado	> 65%	> 25%	3~6 (months/meses)
Severe/Severo	Abnormal Conditions En Condiciones Anormales Environmental, Geographical & Risky Ambientales, Geográficas & Riesgosas		1~3
	<100%	<Duty cycle limit <Limite ciclo de trabajo	



	VDF Movitrac	Freno Disco al Tambor	Resistencia de Frenado	Encoder	Remote Remoto F21	Pupitre Control PWZR3
PWTP1100B	x		x		Opcional	
PWTP1100F	Movidrive		x	x	Opcional	
PWTP1100R	Movidrive	x	x	x	Opcional	x