



## 44000 lbs. 20 tons 40 ft Manual Chain Hoist G80 Black Tempered Chain

### Key features

- Reinforced Impact Resistant Gear Cover, Zinc Plated Chain Guide and Side Plates
- Reliable Double Pawl Brake System with Dust Cover Protection
- Grade 80 (TH) Load Chain
- Standard ASME/ANSI B30.16 , ISO 16877-2008
- 3 Year Warranty, Customer Support and Service in the USA

44000 lbs. 20 tons 10 ft Manual Chain Hoist G80 Black Tempered Chain

### Prowinch Manual Chain Hoist

All of our **Manual Chain Hoists** are created with the goal of offering the best price-performance ratio. Key components such as lifespan factors are constantly tested and improved in order to offer the best product for the price.

### Braking System

The reliable double pawl brake system is tested at 125% of the hoist capacity.

## Technical Specifications

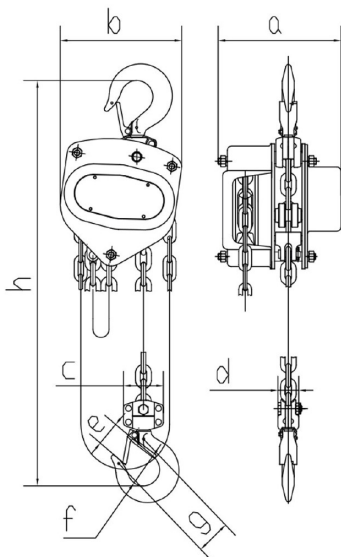
<b>Rated Load Capacity</b>	44000 lb / 20000 kg	<b>Load Chain Size</b>	10x30 mm
<b>Standard Lifting Height</b>	40 ft / 12 m	<b>Standards Compliance</b>	ANSI/ASME B30.16, EN13157, ISO 16877-2008
<b>Capacity Range</b>	9	<b>Warranty</b>	3 Year
<b>Load Chain Type</b>	G80		

Model/Modelo	PWTB050	PWTB100	PWTB150	PWTB200	PWTB300	PWTB500	PWTB1000	PWTB2000
A	4.9 in / 125mm	5.3 in / 134mm	4.9 in / 151mm	6.2 in / 157mm		7.1 in / 180mm		8.8 in / 225mm
B	5.1 in / 130mm	6.1 in / 155mm	6.8 in / 173mm	7.2 in / 185mm	9.2 in / 235mm	10.3 in / 62mm	14.3 in / 365mm	21.6 in / 550mm
C	1.7 in / 43mm	2.0 in / 51mm	2.5 in / 64mm		3.9 in / 100mm	4.9 in / 126mm	10.2 in / 260mm	11.2 in / 286mm
D	0.984 in / 25mm	1.1 in / 30mm	1.33 in / 34mm		2.2 in / 56mm	2.9 in / 74mm	3.8 in / 98mm	4.8 in / 123mm
E	1.0 in / 27mm	1.2 in / 33mm	1.3 in / 33.5mm	1.4 in / 37mm	1.7 in / 43.5mm	2.0 in / 51mm	2.5 in / 64mm	3.2 in / 82mm
F	1.2 in / 32mm	1.5 in / 40mm	1.6 in / 42mm	1.8 in / 46mm	2.0 in / 52mm	2.3 in / 60mm	3.3 in / 85mm	4.3 in / 110mm
G	1.3 in / 35mm	1.7 in / 45mm	1.8 in / 47mm	2.0 in / 52mm	2.4 in / 62.5mm	3.1 in / 79mm		
H	11.0 in / 280mm	12.0 in / 306mm	14.4 in / 368mm	17.5 in / 445mm	20.4 in / 520mm	23.6 in / 600mm	29.9 in / 760mm	45.2 in / 1150mm

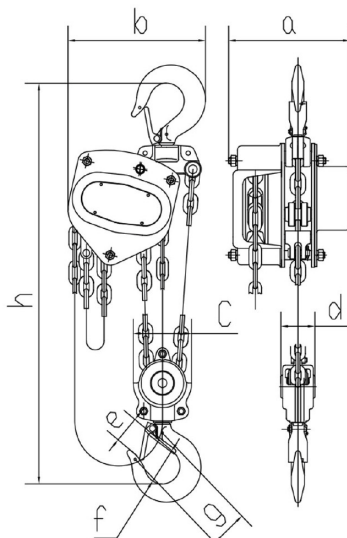
0.5 t, 1 t, 1.5 t & 2 t

3 t & 5 t

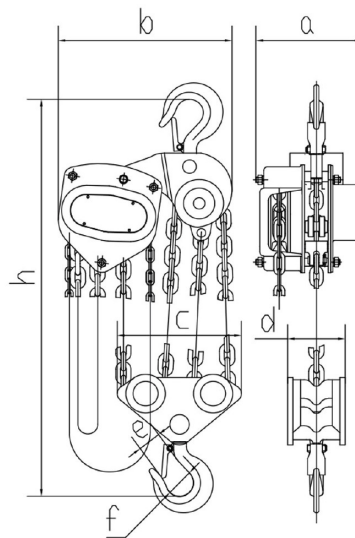
10 t



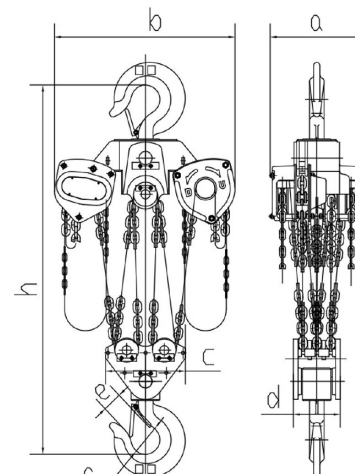
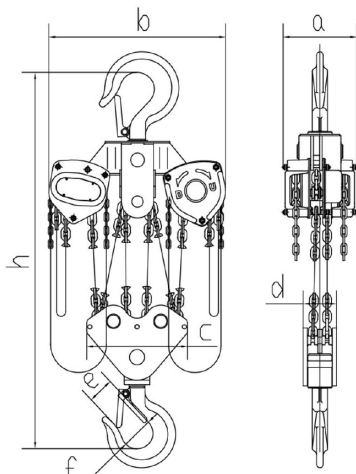
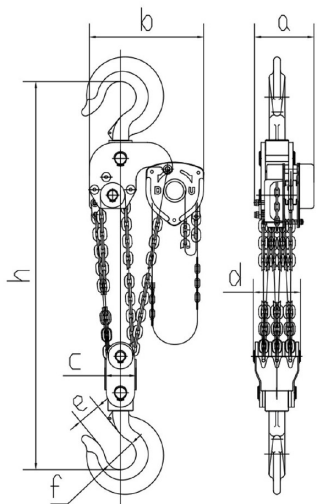
15 t



20 t



30 t



Referential Images / Imágenes Referenciales  
Specifications may change without notice / las especificaciones pueden cambiar sin previo aviso

## Unit Weight & Dimensions

<b>H Minimum Headroom</b>	3.8 ft / 1.15 m
<b>Total Unit Weight</b>	728 lbs / 331 Kg

## Packaging Weight & Dimensions

<b>Package 1 Net Weight</b>	728 lbs / 330 Kg
<b>Package 1 Width</b>	26 in / 66.04 cm
<b>Package 1 Gross Weight</b>	758 lbs / 344 Kg
<b>Package 1 Height</b>	8 in / 20.32 cm
<b>Package 1 Length</b>	30 in / 76.2 cm