

1000 lbs / 454 kgs 12v Portable Winch

Key features

- Load Capacity: Rated for 1000 lbs (454 kgs), suitable for light-duty tasks such as vehicle recovery, boat trailers, and utility work.
- 12V DC Power: Operates on a 12V DC power supply, allowing it to connect directly to a vehicle's battery or a portable power source.
- Wireless Remote Control: Features a wireless remote for convenient operation from a distance, enhancing user safety.
- 1 Year Warranty, Customer Support and Service in the USA



Winch Description

This 12V portable winch offers a lifting capacity of 1000 lbs (454 kgs), making it a versatile tool for various applications. Designed for portability and ease of use, it provides reliable performance in a compact, convenient package. Ideal for on-the-go tasks and small to medium-sized lifting operations.

Prowinch Portable Winches

Prowinch provides Portable Winches designed and manufactured to offer reliability and safety during the lifting and lowering of materials and at the same time achieve the best price, quality and performance ratio, backed by a 1 Year warranty. The key components of the equipment are constantly tested and improved through our internal design processes, based on continuous improvement, under ISO9001: 2015 certification.

Key Components

All internal components have been upgraded to meet the highest quality standards. Key electronic components are produced by American or German brands, and we use American-made lubricants to ensure the lifespan of gears and reducers. Final assembly and all tests are performed locally at Prowinch facility before shipping to ensure that every unit meets the corresponding standard.

Control System

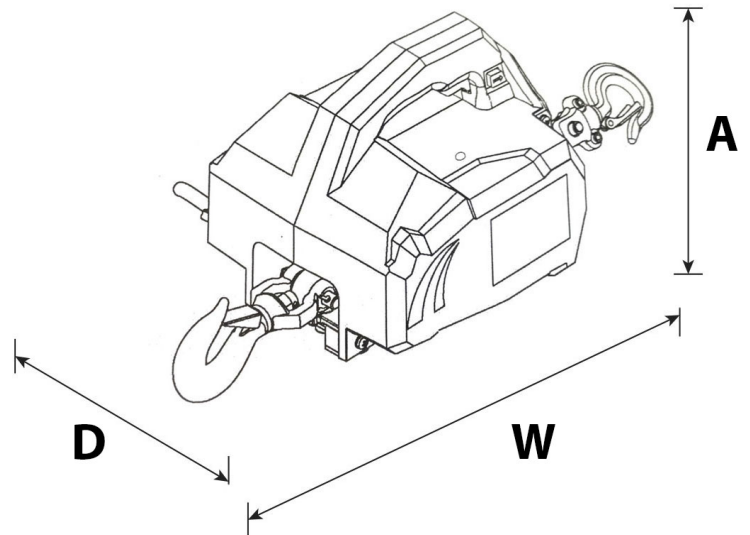
This winch includes a built-in control switch.

Performance and Quality

It offers great power for use during a rescue, traversing uneven terrain as well as loading and unloading boats. Lightweight structure, easy to transport with a degree of protection IP67 and degree of electrical insulation F, the Equipment Base is also included.

Technical Specifications

1st Layer Rated Capacity	1000 lb	IEC Motor Protection	NA
Number of Layers	4	Control	Build in Control Switch
Speed (f/m) / min	5.9 ft / 1.8 m	Transmission / Reducer Type	Deferential Planetary
Number of Speeds	1 Speed	Drum Brake	Automatic
Voltage	Battery Power 12 VDC	Free Spooling Clutch Type	NO
FCC ID	WTX20X04015023E	Wire Rope	Steel $\phi 7/32$ in x 15 ft $\phi 5.6$ mm x 4.6 m
Motor Type (68)	DC Motor 300W	Warranty	1 Year
Motor AMP	25 AMP		



Referential Images
Specifications may change without notice

Unit Weight & Dimensions

A Total Height	22 cm	Package 1 Net Weight	37 lbs / 17 Kg
W Width	34 cm		
D Depth	22 cm		
Total Unit Weight	37 lbs / 17 Kg		

Packaging Weight & Dimensions