



5 ton Electric Chain Hoist w/ Power Trolley 1 Speed 380V 3ø 50HZ 30ft G100 Nickel Duty H4/M5

Key features

- Load Capacity: Lifts up to 5 tons (11,000 lbs.), suitable for medium to heavy-duty lifting applications.
- Voltage and Frequency: Operates on a 380V, 3-phase electrical system with a frequency of 50Hz, suitable for industrial power setups.
- Speed: Single-speed operation for consistent and reliable lifting.
- 3 Year Warranty, Customer Support and Service in the USA

Electric Chain Hoist Description

This 5-ton electric chain hoist features a power trolley for smooth horizontal movement and single-speed operation for reliable lifting. It operates on a 380V 3-phase 50Hz power supply, providing dependable performance for demanding industrial tasks.

Our Dedication to Excellence:

At Prowinch, our unwavering commitment to delivering the best price-performance ratio is evident in every Electric Chain Hoist we produce. We subject each unit to meticulous testing and continuously enhance key components, considering factors that influence lifespan. This commitment ensures that we consistently provide a superior product at an optimal price point.

Enhanced Components:

Internally, each component has undergone substantial upgrades to meet the highest quality standards. Key electronic parts are carefully sourced from reputable brands, while locally manufactured lubricants are employed to fortify the durability of gears and reducers. The final assembly and testing processes take place in the US, guaranteeing that every unit surpasses corresponding standards.

Single Speed Efficiency:

Our Single Speed Electric Chain Hoist is designed for straightforward yet efficient lifting operations. Perfect for applications where a consistent lifting speed is paramount, this hoist offers reliability and ease of use.

Duty Classification:

Choosing the right unit is pivotal, and our M5-rated H4 hoists stand out for their excellence in high-volume handling. Tailored for environments like steel warehouses, machine shops, fabricating plants, and mills, these hoists boast a 50% maximum operational time per hour for uniformly distributed work periods. They can efficiently handle up to 300 starts per hour. In scenarios of infrequent work periods, the hoist can operate for 30 minutes from a cold start with up to 300 starts per hour. Operational time ratings adhere to a 65% load factor, following ASME HST-1-2012 guidelines.

Control System:

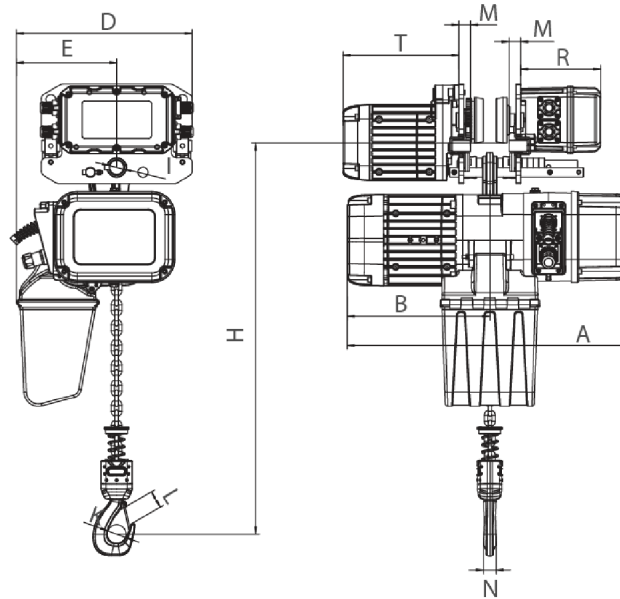
The Single Speed Electric Chain Hoist comes with a standard pendant control, designed with a length 4 feet less than the lifting height, ensuring easy operation from ground level. For added convenience, an optional wireless control is available.

Advanced Braking System:

Our hoists feature an electromagnetic brake system, rigorously tested at 125% of the hoist capacity. This system is intelligently designed to engage automatically upon any loss of power, ensuring not only enhanced safety but also precise control over the operation of the hoist.

Technical Specifications

Rated Load Capacity	5 ton	Chain Length	60
Capacity Range	6	Load Chain weight per foot [lbs]	1.83
Voltage	3 Phase 380V 50Hz	Humidity	20%~90%
Standard Lifting Height	30 ft / 9 m	Temperature	-4 ~ 104° F / -20 ~ 40° C
Speed (f/m) / min	10.63 ft @60Hz 2.70 mt @50Hz	Transmission / Reducer Type	Spur gearbox
Number of Speeds	1 Speed	Reducer Lubrication Type	Oil
Hoist Contactors Amps	25A	Paint Specifications	Electrostatic Sprayed Plastic (ESP) Epoxy resins, Polyester Resins, Barium, Pigments
Hoist Contactor Brand	Schneider	Standards Compliance	ASME HST-1 , ASME B30.16 , B30.17 , EN60204-36
Hoist Contactor Coil Voltage	24 V	Standards Certified	CE
Duty Class	H4/M5/2m/Class D	Trolley Power	750
IEC Hoist IP Protection	IP55	Trolley Number of Speeds	1
IEC Motor Protection	IP55	Trolley Speed /min	43.30 ft @60Hz 11 mt @50Hz
Pendant Control Yes No	Yes	Trolley Motor Brake Type and DC Voltage	DC170V
IEC Pendant Control Protection	IP66	Trolley Motor Insulation Grade	F
Pendant Control Emergency Stop	Yes	Trolley Contactors Amps	40A
Pendant Control total Length	27 ft	Trolley Contactors Brand	Schneider
Hoist Motor Power in KW	3	Trolley Contactors Coil Voltage	24 V
Hoist Motor Brake Type and DC Voltage	DC170V	Trolley Wheel Diameter	139
Hoist Motor Insulation Grade	F	Trolley Wheel Material	No. 45 steel
Total Power Watts	3750	Trolley Minimum Turn Radius	1.8
Power Cord Length and Phase Order	3 ft / Red L1, White L2 and Black L3, Green ground	Trolley Beam Range	3.9" to 7"
Recommended Hoist Protection Circuit Breaker AMPs and Type	Type D 20A	Trolley Beam Extension Kit	up to 12"
Optional Load Chain Brand & Country of Origin	FEC Japan	Overload Protection	Overload Motor Clutch
Load Chain Type	G100 Nikel	Hour Meter	Internal Working Hour Meter
Load Chain Size	11.2 mm	Brake SKU	PWRX-2-20-PN.60.61
Chain Falls	2	Brake rectifiers-half-wave	PWRX-BKTF-HW



Rated load (t)	Type	Dimension (mm)												
		Minimum distance from the bottom of the track to the bottom hook: H	A	L	B	D	E	I	M	N	K	L	T	R
1	PWRXT1-01	473	440	3500-5500	285	210	20	105	140					
2	PWRXT2-01	516	590		276	368	210	31	24	25	42	32	242	167
3	PWRXT3-01	600	681		350	422	264	36	28	35	52	42	242	167
5	PWRXT5-02	645	681		350	478	307	43	30	34	59	48	242	167

Unit Weight & Dimensions

A Total Height	675
J Hook Opening	60

Packaging Weight & Dimensions

Package 1 Height	31 in / 78.74 cm
Package 2 Height	23 in / 58.42 cm

W Width	420	Package 1 Width	20 in / 50.8 cm
H Minimum Headroom	810	Package 2 Width	14 in / 35.56 cm
D Depth	695	Package 1 Length	30 in / 76.2 cm
1st Package Type	Wood Crate	Package 2 Length	11 in / 27.94 cm
Total Weight (w/out cable or Chain)	185	Package 1 Net Weight	294.8 lbs / 134 Kg
2nd Package Type	Wood Crate	Package 2 Net Weight	111.1 lbs / 50 Kg
Total Unit Weight	405.9 lbs / 185 Kg	Package 1 Gross Weight	495 lbs / 225 Kg
		Package 2 Gross Weight	121 lbs / 55 Kg