

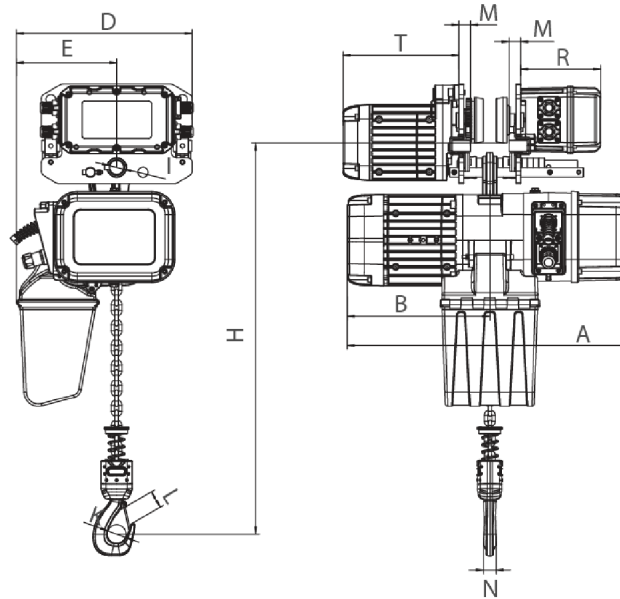


3 ton Electric Chain Hoist w/ Power Trolley Variable Speed 220V 1ø 50~60HZ 30ft G100 Nickel Duty H4/M5

3 ton Electric Chain Hoist w/ Power Trolley Variable Speed 220V 1ø 50~60HZ

Technical Specifications

| | | | |
|---|--------------------------------------|--|--|
| Rated Load Capacity | 3 ton | Chain Length | 30 |
| Capacity Range | 4 | Load Chain weight per foot [lbs] | 1.83 |
| Voltage | 1 Phase 220~240V 50/60Hz | Humidity | 20%~90% |
| Standard Lifting Height | 30 ft / 9 m | Temperature | -4 ~ 104° F / -20 ~ 40° C |
| Speed (f/m) / min | ft @60Hz 0.7~5.4 mt @50Hz | Transmission / Reducer Type | Spur gearbox |
| Number of Speeds | Variable Speed | Reducer Lubrication Type | Oil |
| Hoist VFD Power | 4kW | Paint Specifications | Electrostatic Sprayed Plastic (ESP) Epoxy resins, Polyester Resins, Barium, Pigments |
| Hoist VFD Brand | HUAYUAN | Standards Compliance | ASME HST-1 , ASME B30.16 , B30.17 , EN60204-35 |
| VFD Model | Z230 | Standards Certified | CE |
| Brake Resistor Kw | 1Kw | Trolley Power | 500 |
| Duty Class | H4/M5/2m/Class D | Trolley Number of Speeds | Variable |
| IEC Hoist IP Protection | IP55 | Trolley Speed /min | 5.9~47.23 ft @60Hz 1.5~12 mt @50Hz |
| IEC Motor Protection | IP55 | Trolley Motor Brake Type and DC Voltage | DC170V |
| Pendant Control Yes No | Yes | Trolley Motor Insulation Grade | F |
| IEC Pendant Control Protection | IP66 | Trolley VFD Power in KW | 2.5kW |
| Pendant Control Emergency Stop | Yes | Trolley VFD Brand | Huayuan |
| Pendant Control total Length | 27 ft | Trolley VFD Model | Z230 |
| Hoist Motor Power in KW | 3 | Trolley Wheel Diameter | 124 |
| Hoist Motor Brake Type and DC Voltage | DC170V | Trolley Wheel Material | No. 45 steel |
| Hoist Motor Insulation Grade | F | Trolley Minimum Turn Radius | 1.6 |
| Total Power Watts | 4000 | Trolley Beam Range | 3.9" to 7" |
| Power Cord Length and Phase Order | 3 ft / Black L1, White, Green ground | Trolley Beam Extension Kit | up to 12" |
| Recommended Hoist Protection Circuit Breaker AMPs and Type | Type D 20A | Overload Protection | Overload Motor Clutch |
| Optional Load Chain Brand & Country of Origin | FEC Japan | Hour Meter | Internal Working Hour Meter |
| Load Chain Type | G100 Nikel | Brake SKU | PWRX-2-20-PN.60.61 |
| Load Chain Size | 11.2 mm | Brake rectifiers-half-wave | PWRX-BKTF-HW |
| Chain Falls | 1 | | |



| Rated load (t) | Type | Dimension (mm) | | | | | | | | | | | | |
|----------------|-----------|---|-----|-----------|-----|-----|-----|-----|-----|----|----|----|-----|-----|
| | | Minimum distance from the bottom of the track to the bottom hook: H | A | L | B | D | E | I | M | N | K | L | T | R |
| 1 | PWRXT1-01 | 473 | 440 | 3500-5500 | 285 | 210 | 20 | 105 | 140 | | | | | |
| 2 | PWRXT2-01 | 516 | 590 | | 276 | 368 | 210 | 31 | 24 | 25 | 42 | 32 | 242 | 167 |
| 3 | PWRXT3-01 | 600 | 681 | | 350 | 422 | 264 | 36 | 28 | 35 | 52 | 42 | 242 | 167 |
| 5 | PWRXT5-02 | 645 | 681 | | 350 | 478 | 307 | 43 | 30 | 34 | 59 | 48 | 242 | 167 |

Unit Weight & Dimensions

| | |
|----------------|-----|
| A Total Height | 645 |
| J Hook Opening | 59 |

Packaging Weight & Dimensions

| | |
|------------------|------------------|
| Package 1 Height | 31 in / 78.74 cm |
| Package 2 Height | 23 in / 58.42 cm |

| | | | |
|--|--------------------|-------------------------------|-------------------|
| W Width | 350 | Package 1 Width | 20 in / 50.8 cm |
| H Minimum Headroom | 645 | Package 2 Width | 14 in / 35.56 cm |
| D Depth | 681 | Package 1 Length | 30 in / 76.2 cm |
| 1st Package Type | Wood Crate | Package 2 Length | 11 in / 27.94 cm |
| Total Weight (w/out cable or Chain) | 130 | Package 1 Net Weight | 184.8 lbs / 84 Kg |
| 2nd Package Type | Wood Crate | Package 2 Net Weight | 111.1 lbs / 50 Kg |
| Total Unit Weight | 295.9 lbs / 135 Kg | Package 1 Gross Weight | 330 lbs / 150 Kg |
| | | Package 2 Gross Weight | 121 lbs / 55 Kg |