



2 ton Electric Chain Hoist w/ Power Trolley 1 Speed 380V 3ø 50HZ 20ft G100 Nickel Duty H4/M5

Key features

- Load Capacity: 2 tons (4,000 lbs) – Suitable for handling heavy loads in various industrial applications.
- Voltage: 380V – Common voltage for many international power systems.
- Speed: 1 Speed – Provides a single, consistent lifting speed for straightforward operations.
- 3 Year Warranty, Customer Support and Service in the USA

Electric Chain Hoist Description

This 2-ton electric chain hoist features a power trolley for smooth horizontal movement and single-speed operation for efficient lifting. It operates on a 380V 3-phase 50Hz power supply, delivering reliable performance for various industrial lifting needs.

Our Dedication to Excellence:

At Prowinch, our unwavering commitment to delivering the best price-performance ratio is evident in every Electric Chain Hoist we produce. We subject each unit to meticulous testing and continuously enhance key components, considering factors that influence lifespan. This commitment ensures that we consistently provide a superior product at an optimal price point.

Enhanced Components:

Internally, each component has undergone substantial upgrades to meet the highest quality standards. Key electronic parts are carefully sourced from reputable brands, while locally manufactured lubricants are employed to fortify the durability of gears and reducers. The final assembly and testing processes take place in the US, guaranteeing that every unit surpasses corresponding standards.

Single Speed Efficiency:

Our Single Speed Electric Chain Hoist is designed for straightforward yet efficient lifting operations. Perfect for applications where a consistent lifting speed is paramount, this hoist offers reliability and ease of use.

Duty Classification:

Choosing the right unit is pivotal, and our M5-rated H4 hoists stand out for their excellence in high-volume handling. Tailored for environments like steel warehouses, machine shops, fabricating plants, and mills, these hoists boast a 50% maximum operational time per hour for uniformly distributed work periods. They can efficiently handle up to 300 starts per hour. In scenarios of infrequent work periods, the hoist can operate for 30 minutes from a cold start with up to 300 starts per hour. Operational time ratings adhere to a 65% load factor, following ASME HST-1-2012 guidelines.

Control System:

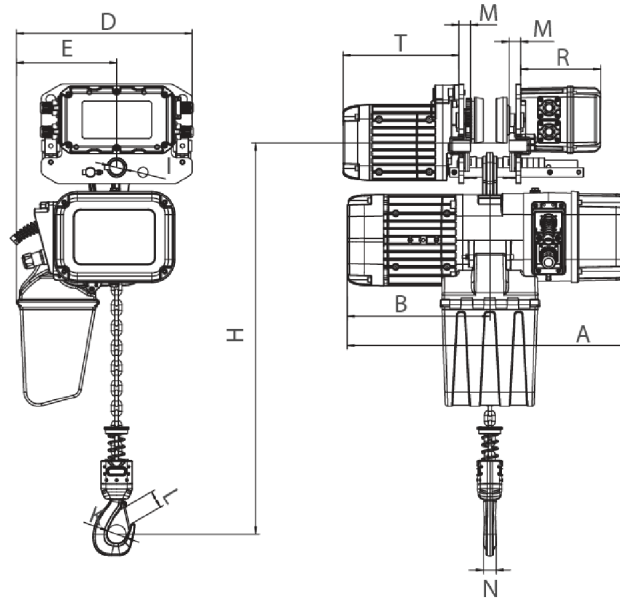
The Single Speed Electric Chain Hoist comes with a standard pendant control, designed with a length 4 feet less than the lifting height, ensuring easy operation from ground level. For added convenience, an optional wireless control is available.

Advanced Braking System:

Our hoists feature an electromagnetic brake system, rigorously tested at 125% of the hoist capacity. This system is intelligently designed to engage automatically upon any loss of power, ensuring not only enhanced safety but also precise control over the operation of the hoist.

Technical Specifications

Rated Load Capacity	2 ton	Transmission / Reducer Type	Spur gearbox
Standard Lifting Height	20 ft / 6 m	Load Chain Type	G100 Nikel
Speed (f/m) / min	26.77 ft @60Hz 6.80 mt @50Hz	Load Chain Size	10 mm
Number of Speeds	1 Speed	Chain Falls	1
Capacity Range	3	Chain Length	20
Voltage	3 Phase 380V 50Hz	Humidity	20%~90%
Total Power Watts	3500	Temperature	-4 ~ 104° F / -20 ~ 40° C
Duty Class	H4/M5/2m/Class D	Trolley Power	500
IEC Motor Protection	IP55	Trolley Speed /min	43.30 ft @60Hz 11 mt @50Hz
Control	Pendant Control IP66 and Optional Wireless	Trolley Number of Speeds	1
Control Voltage	24V	Standards Compliance	ASME HST-1 , ASME B30.16 , B30.17 , EN60204-34
Emergency Stop	Yes	Warranty	3 Year



Rated load (t)	Type	Dimension (mm)												
		Minimum distance from the bottom of the track to the bottom hook: H	A	L	B	D	E	I	M	N	K	L	T	R
1	PWRXT1-01	473	440	3500-5500	285	210	20	105	140					
2	PWRXT2-01	516	590		276	368	210	31	24	25	42	32	242	167
3	PWRXT3-01	600	681		350	422	264	36	28	35	52	42	242	167
5	PWRXT5-02	645	681		350	478	307	43	30	34	59	48	242	167

Unit Weight & Dimensions

H Minimum Headroom	600
W Width	420

Packaging Weight & Dimensions

Package 1 Net Weight	184.8 lbs / 84 Kg
Package 2 Net Weight	89.1 lbs / 40 Kg

A Total Height	540	Package 1 Gross Weight	308 lbs / 140 Kg
J Hook Opening	52	Package 2 Gross Weight	99 lbs / 45 Kg
D Depth	695	Package 1 Length	30 in / 76.2 cm
Total Weight (w/out cable or Chain)	170	Package 2 Length	11 in / 27.94 cm
Total Unit Weight	273.9 lbs / 125 Kg	Package 1 Width	20 in / 50.8 cm
		Package 2 Width	14 in / 35.56 cm
		Package 1 Height	31 in / 78.74 cm
		Package 2 Height	23 in / 58.42 cm