



2 ton Electric Chain Hoist w/ Power Trolley 1 Speed 208~240V / 440~480V 3ø 60HZ 20ft G100 Nickel Duty H4/M5

Key features

- Load Capacity: 2 tons (4,000 lbs) – Suitable for lifting moderately heavy loads.
- Voltage Options: 208~240V / 440~480V – Versatile voltage options for different power systems.
- Speed: 1 Speed – Provides a single lifting speed for straightforward operations.
- 3 Year Warranty, Customer Support and Service in the USA

Electric Chain Hoist Description

This 2-ton electric chain hoist features a power trolley for smooth horizontal movement and single-speed operation for reliable lifting. It supports dual voltage options (208~240V / 440~480V) with a 3-phase 60Hz power supply, providing robust and efficient performance for various industrial applications.

Our Dedication to Excellence:

At Prowinch, our unwavering commitment to delivering the best price-performance ratio is evident in every Electric Chain Hoist we produce. We subject each unit to meticulous testing and continuously enhance key components, considering factors that influence lifespan. This commitment ensures that we consistently provide a superior product at an optimal price point.

Enhanced Components:

Internally, each component has undergone substantial upgrades to meet the highest quality standards. Key electronic parts are carefully sourced from reputable brands, while locally manufactured lubricants are employed to fortify the durability of gears and reducers. The final assembly and testing processes take place in the US, guaranteeing that every unit surpasses corresponding standards.

Single Speed Efficiency:

Our Single Speed Electric Chain Hoist is designed for straightforward yet efficient lifting operations. Perfect for applications where a consistent lifting speed is paramount, this hoist offers reliability and ease of use.

Duty Classification:

Choosing the right unit is pivotal, and our M5-rated H4 hoists stand out for their excellence in high-volume handling. Tailored for environments like steel warehouses, machine shops, fabricating plants, and mills, these hoists boast a 50% maximum operational time per hour for uniformly distributed work periods. They can efficiently handle up to 300 starts per hour. In scenarios of infrequent work periods, the hoist can operate for 30 minutes from a cold start with up to 300 starts per hour. Operational time ratings adhere to a 65% load factor, following ASME HST-1-2012 guidelines.

Control System:

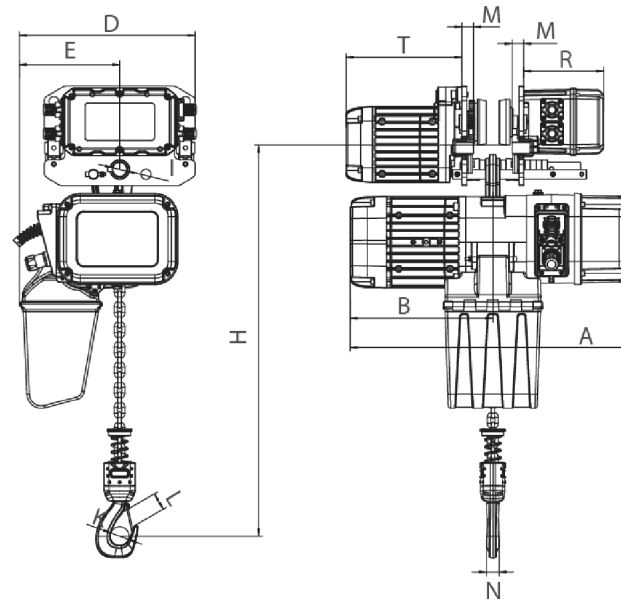
The Single Speed Electric Chain Hoist comes with a standard pendant control, designed with a length 4 feet less than the lifting height, ensuring easy operation from ground level. For added convenience, an optional wireless control is available.

Advanced Braking System:

Our hoists feature an electromagnetic brake system, rigorously tested at 125% of the hoist capacity. This system is intelligently designed to engage automatically upon any loss of power, ensuring not only enhanced safety but also precise control over the operation of the hoist.

Technical Specifications

| | | | |
|--------------------------------|--|------------------------------------|--|
| Rated Load Capacity | 2 ton | Transmission / Reducer Type | Spur gearbox |
| Standard Lifting Height | 20 ft / 6 m | Load Chain Type | G100 Nikel |
| Speed (f/m) / min | 26.77 ft @60Hz 6.80 mt @50Hz | Load Chain Size | 10 mm |
| Number of Speeds | 1 Speed | Chain Falls | 1 |
| Capacity Range | 3 | Chain Length | 20 |
| Voltage | 3 Phase 208~240/440~480V 50/60Hz | Humidity | 20%~90% |
| Total Power Watts | 4000 | Temperature | -4 ~ 104° F / -20 ~ 40° C |
| Duty Class | H4/M5/2m/Class D | Trolley Power | 500 |
| IEC Motor Protection | IP55 | Trolley Speed /min | 43.30 ft @60Hz 11 mt @50Hz |
| Control | Pendant Control IP66 and Optional Wireless | Trolley Number of Speeds | 1 |
| Control Voltage | 24V | Standards Compliance | ASME HST-1 , ASME B30.16 , B30.17 , EN60204-34 |
| Emergency Stop | Yes | Warranty | 3 Year |



| Rated load (t) | Type | Dimension (mm) | | | | | | | | | | | | |
|----------------|-----------|---|-----|-----------|-----|-----|-----|-----|-----|----|----|----|-----|-----|
| | | Minimum distance from the bottom of the track to the bottom hook: H | A | L | B | D | E | I | M | N | K | L | T | R |
| 1 | PWRXT1-01 | 473 | 440 | 3500-5500 | 285 | 210 | 20 | 105 | 140 | | | | | |
| 2 | PWRXT2-01 | 516 | 590 | | 276 | 368 | 210 | 31 | 24 | 25 | 42 | 32 | 242 | 167 |
| 3 | PWRXT3-01 | 600 | 681 | | 350 | 422 | 264 | 36 | 28 | 35 | 52 | 42 | 242 | 167 |
| 5 | PWRXT5-02 | 645 | 681 | | 350 | 478 | 307 | 43 | 30 | 34 | 59 | 48 | 242 | 167 |

Unit Weight & Dimensions

| | |
|--------------------|-----|
| H Minimum Headroom | 600 |
| W Width | 420 |

Packaging Weight & Dimensions

| | |
|----------------------|-------------------|
| Package 1 Net Weight | 184.8 lbs / 84 Kg |
| Package 2 Net Weight | 100.1 lbs / 45 Kg |

| | | | |
|--|--------------------|-------------------------------|------------------|
| A Total Height | 540 | Package 1 Gross Weight | 308 lbs / 140 Kg |
| J Hook Opening | 52 | Package 2 Gross Weight | 110 lbs / 50 Kg |
| D Depth | 695 | Package 1 Length | 30 in / 76.2 cm |
| Total Weight (w/out cable or Chain) | 155 | Package 2 Length | 11 in / 27.94 cm |
| Total Unit Weight | 284.9 lbs / 130 Kg | Package 1 Width | 20 in / 50.8 cm |
| | | Package 2 Width | 14 in / 35.56 cm |
| | | Package 1 Height | 31 in / 78.74 cm |
| | | Package 2 Height | 23 in / 58.42 cm |