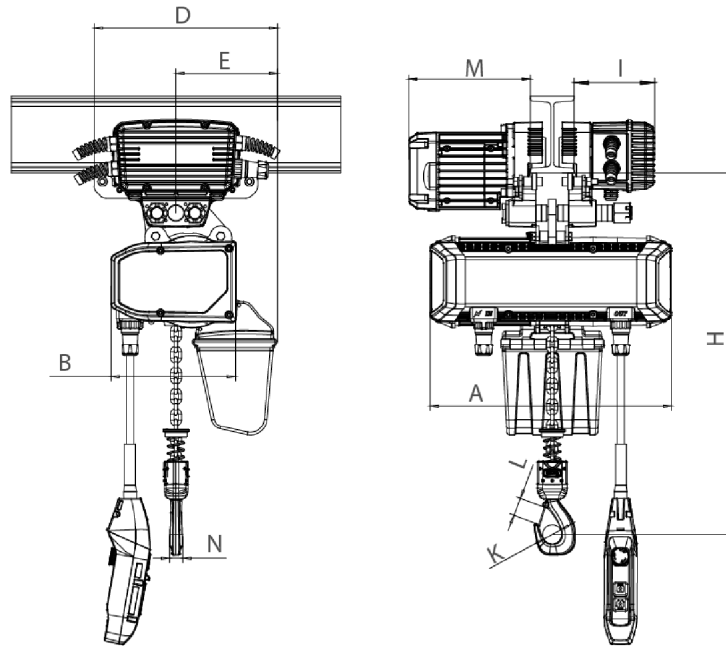


PWRX 0.25t and 0.5t Series Trolley Front Cover



PWRX 0.25t and 0.5t Series Trolley Front Cover

Technical Specifications



Rated load (t)	Type	Dimension (mm)							
		Minimum distance from the bottom of the track to the bottom hook: H	A	L	B	D	E	I	M
0.25	PWRXT0.25-0 1	473	440	3500- 5500	285	210	20	105	140
0.5	PWRXT0.5-01	473	440		285	210	20	105	140