



## 5 ton Electric Chain Hoist 1 Speed 208~240V / 440~480V 3ø 60HZ

### Key features

- Heavy Duty H4/M5 US and EC Standards ASME HST-1 , ASME B30.16 , EN14492-2 , EN60204-32
- Patented Overload Motor Slip Protection with Heavy Duty Electromagnetic Disk Brake
- German Brand Schneider UL Listed Contactors, Dual System Limit Switches, Emergency Stop
- Super Heavy Duty G100 Nickel Chain, 25% Stronger than G80. Standard ASTM A973
- 3 Year Warranty, Customer Support and Service in the USA

5 ton Electric Chain Hoist 1 Speed 208~240V / 440~480V 3ø 60HZ

### Our Dedication to Excellence:

At Prowinch, our unwavering commitment to delivering the best price-performance ratio is evident in every Electric Chain Hoist we produce. We subject each unit to meticulous testing and continuously enhance key components, considering factors that influence lifespan. This commitment ensures that we consistently provide a superior product at an optimal price point.

### Enhanced Components:

Internally, each component has undergone substantial upgrades to meet the highest quality standards. Key electronic parts are carefully sourced from reputable brands, while locally manufactured lubricants are employed to fortify the durability of gears and reducers. The final assembly and testing processes take place in the US, guaranteeing that every unit surpasses corresponding standards.

### Single Speed Efficiency:

Our Single Speed Electric Chain Hoist is designed for straightforward yet efficient lifting operations. Perfect for applications where a consistent lifting speed is paramount, this hoist offers reliability and ease of use.

### Duty Classification:

Choosing the right unit is pivotal, and our M5-rated H4 hoists stand out for their excellence in high-volume handling. Tailored for environments like steel warehouses, machine shops, fabricating plants, and mills, these hoists boast a 50% maximum operational time per hour for uniformly distributed work periods. They can efficiently handle up to 300 starts per hour. In scenarios of infrequent work periods, the hoist can operate for 30 minutes from a cold start with up to 300 starts per hour. Operational time ratings adhere to a 65% load factor, following ASME HST-1-2012 guidelines.

### Control System:

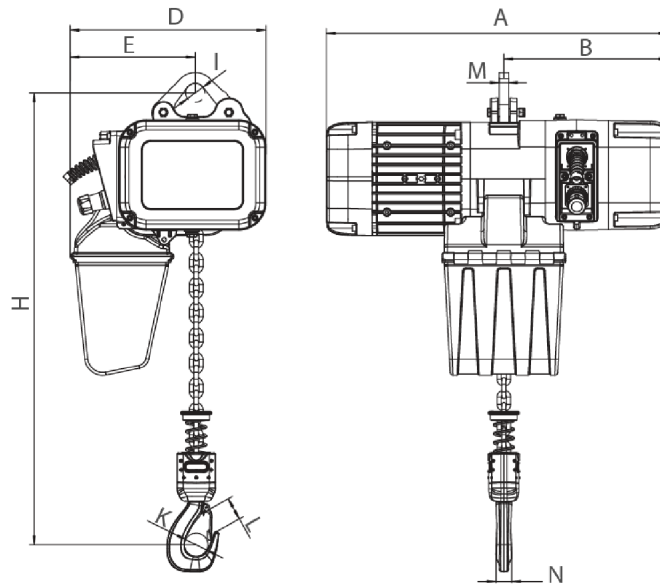
The Single Speed Electric Chain Hoist comes with a standard pendant control, designed with a length 4 feet less than the lifting height, ensuring easy operation from ground level. For added convenience, an optional wireless control is available.

### Advanced Braking System:

Our hoists feature an electromagnetic brake system, rigorously tested at 125% of the hoist capacity. This system is intelligently designed to engage automatically upon any loss of power, ensuring not only enhanced safety but also precise control over the operation of the hoist.

## Technical Specifications

<b>Rated Load Capacity</b>	5 ton	<b>Power Cord Length and Phase Order</b>	3 ft / Black L1 , Red L2 and Blue L3 Green ground
<b>Capacity Range</b>	6	<b>Recommended Hoist Protection Circuit Breaker AMPs and Type</b>	Type D 25A at 220V and 20A at 460V
<b>Voltage</b>	3 Phase 208~240/440~480V 50/60Hz	<b>Optional Load Chain Brand &amp; Country of Origin</b>	FEC Japan
<b>Standard Lifting Height</b>	30 ft / 9 m	<b>Load Chain Type</b>	G100 Nikel
<b>Speed (f/m) / min</b>	10.63 ft @60Hz 2.70 mt @50Hz	<b>Load Chain Size</b>	11.2 mm
<b>Number of Speeds</b>	1 Speed	<b>Chain Falls</b>	2
<b>Hoist Contactors Amps</b>	25A	<b>Chain Length</b>	60
<b>Hoist Contactor Brand</b>	Schneider	<b>Load Chain weight per foot [lbs]</b>	1.83
<b>Hoist Contactor Coil Voltage</b>	24 V	<b>Humidity</b>	20%~90%
<b>Duty Class</b>	H4/M5/2m/Class D	<b>Temperature</b>	-4 ~ 104° F / -20 ~ 40° C
<b>IEC Hoist IP Protection</b>	IP55	<b>Transmission / Reducer Type</b>	Spur gearbox
<b>IEC Motor Protection</b>	IP55	<b>Reducer Lubrication Type</b>	Oil
<b>Pendant Control Yes No</b>	Yes	<b>Paint Specifications</b>	Electrostatic Sprayed Plastic (ESP) Epoxy resins, Polyester Resins, Barium, Pigments
<b>IEC Pendant Control Protection</b>	IP66	<b>Standards Compliance</b>	ASME HST-1 , ASME B30.16 , EN60204-36
<b>Pendant Control Emergency Stop</b>	Yes	<b>Standards Certified</b>	CE
<b>Pendant Control total Length</b>	27 ft	<b>Overload Protection</b>	Overload Motor Clutch
<b>Hoist Motor Power in KW</b>	3	<b>Hour Meter</b>	Internal Working Hour Meter
<b>Hoist Motor Brake Type and DC Voltage</b>	DC99V/DC207V	<b>Brake SKU</b>	PWRX-2-20-PN.60.61
<b>Hoist Motor Insulation Grade</b>	F	<b>Brake rectifiers-half-wave</b>	PWRX-BKTF-HW
<b>Total Power Watts</b>	3000	<b>Brake rectifiers-full-wave</b>	PWRX-BKTF-FW



[Size list: mm]

Rated load (t)	Type	Minimum distance between hooks: H	A	B	D	E	I	M	N	K	L
1	PWRXF1-01	455	590	276	330	210	32	16	25	42	32
2	PWRXF2-01	550	590	276	330	210	38	20	35	52	42
3	PWRXF3-01	560	695	350	420	265	45	20	34	59	48
5	PWRXF5-02	675	695	350	420	307	55	28	44	60	48

## Unit Weight & Dimensions

<b>A Total Height</b>	675
<b>J Hook Opening</b>	60
<b>W Width</b>	420
<b>H Minimum Headroom</b>	810
<b>D Depth</b>	695
<b>1st Package Type</b>	Wood Crate
<b>Total Weight (w/out cable or Chain)</b>	185

## Packaging Weight & Dimensions

<b>Package 1 Height</b>	31 in / 78.74 cm
<b>Package 1 Net Weight</b>	294.8 lbs / 134 Kg
<b>Package 1 Width</b>	20 in / 50.8 cm
<b>Package 1 Gross Weight</b>	319 lbs / 145 Kg
<b>Package 1 Length</b>	30 in / 76.2 cm

**Total Unit Weight**

294.8 lbs / 134 Kg