



3 ton Electric Chain Hoist Variable Speed 440~480V 3ø 50~60HZ 30ft G100 Nickel Duty H4/M5

Key features

- Lifting Capacity: 3 tons (6,600 lbs)
- Power Supply: 440~480V, 3-phase, 50/60Hz
- Speed Control: Variable speed for precise lifting and positioning
- 3 Year Warranty, Customer Support and Service in the USA

Electric Chain Hoist Description

The 3 Ton Electric Chain Hoist with variable speed control is engineered for precision and adaptability in heavy lifting applications. With a lifting capacity of 3 tons, this hoist operates on 440~480V, 3-phase, 50/60Hz power, making it suitable for a variety of industrial environments. The variable speed feature allows for smooth and accurate lifting, ensuring careful positioning for various tasks. Built for durability and equipped with essential safety mechanisms, this hoist is ideal for demanding operations.

Our Dedication to Excellence:

At Prowinch, our unwavering commitment to delivering the best price-performance ratio is evident in every Electric Chain Hoist we produce. We subject each unit to meticulous testing and continuously enhance key components, considering factors that influence lifespan. This commitment ensures that we consistently provide a superior product at an optimal price point.

Enhanced Components:

Internally, each component has undergone substantial upgrades to meet the highest quality standards. Key electronic parts are carefully sourced from reputable brands, while locally manufactured lubricants are employed to fortify the durability of gears and reducers. The final assembly and testing processes take place in the US, guaranteeing that every unit surpasses corresponding standards.

Variable Speed Innovation:

Designed for unparalleled control, our Variable Speed Electric Chain Hoist offers a dynamic lifting experience. Ideal for applications requiring precise load positioning, this hoist allows you to adjust lifting speeds according to the specific needs of your project.

Duty Classification:

Choosing the right unit is pivotal, and our M5-rated H4 hoists stand out for their excellence in high-volume handling. Tailored for environments like steel warehouses, machine shops, fabricating plants, and mills, these hoists boast a 50% maximum operational time per hour for uniformly distributed work periods. They can efficiently handle up to 300 starts per hour. In scenarios of infrequent work periods, the hoist can operate for 30 minutes from a cold start with up to 300 starts per hour. Operational time ratings adhere to a 65% load factor, following ASME HST-1-2012 guidelines.

Control System:

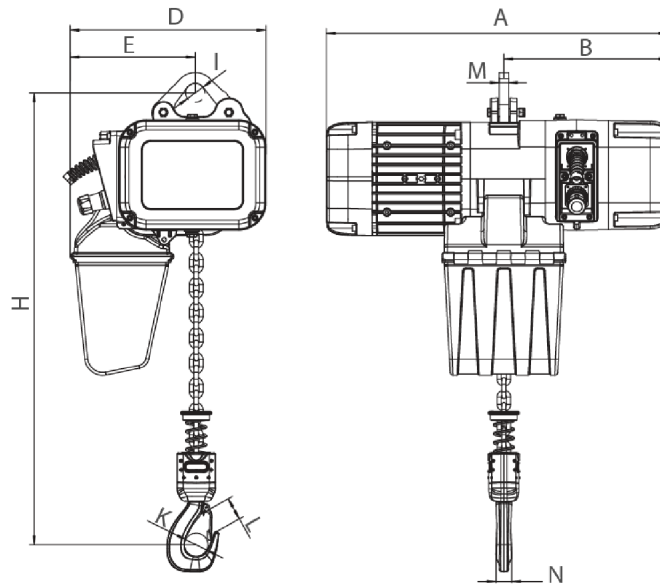
The Variable Speed Electric Chain Hoist is equipped with an advanced control system, allowing for precise speed adjustments tailored to your lifting requirements. The standard pendant control, designed with a length 4 feet less than the lifting height, ensures easy operation from ground level. For added convenience, an optional wireless control is available.

Advanced Braking System:

Our hoists feature an electromagnetic brake system, rigorously tested at 125% of the hoist capacity. This system is intelligently designed to engage automatically upon any loss of power, ensuring not only enhanced safety but also precise control over the operation of the hoist.

Technical Specifications

Optional Load Chain Brand & Country of Origin	FEC Japan	Voltage	3 Phase 440~480V 60Hz
Standards Certified	CE	Total Power Watts	4000
Recommended Hoist Protection Circuit Breaker AMPs and Type	Type D 20A	Duty Class	H4/M5/2m/Class D
Power Cord Length and Phase Order	3 ft / Black L1 , Red L2 and Blue L3 Green ground	IEC Motor Protection	IP55
Pendant Control Yes No	Yes	Control	Pendant Control IP66 and Optional Wireless
Pendant Control Emergency Stop	Yes	Control Voltage	24V
Paint Specifications	Electrostatic Sprayed Plastic (ESP) Epoxy resins, Polyester Resins, Barium, Pigments	Emergency Stop	Yes
Overload Protection	Overload Motor Clutch	Transmission / Reducer Type	Spur gearbox
Brake SKU	PWRX-2-20-PN.60.61	Load Chain Type	G100 Nickel
VFD Model	Z230	Load Chain Size	11.2 mm
Brake Resistor Kw	1Kw	Rig Falls / Lines	1
Brake rectifiers-half-wave	PWRX-BKTF-HW	Chain Length	30
Rated Load Capacity	3 ton	Humidity	20%~90%
Standard Lifting Height	30 ft / 9 m	Temperature	-4 ~ 104° F / -20 ~ 40° C
Speed (f/m) / min	2.7~21.2 ft @60Hz mt @50Hz	Standards Compliance	ASME HST-1 , ASME B30.16 , EN60204-35
Number of Speeds	Variable Speed	Warranty	3 Year



[Size list: mm]

Rated load (t)	Type	Minimum distance between hooks: H	A	B	D	E	I	M	N	K	L
1	PWRXF1-01	455	590	276	330	210	32	16	25	42	32
2	PWRXF2-01	550	590	276	330	210	38	20	35	52	42
3	PWRXF3-01	560	695	350	420	265	45	20	34	59	48
5	PWRXF5-02	675	695	350	420	307	55	28	44	60	48

Unit Weight & Dimensions

H Minimum Headroom	645
W Width	420
A Total Height	560
J Hook Opening	59
D Depth	695
Total Weight (w/out cable or Chain)	130
Total Unit Weight	184.8 lbs / 84 Kg

Packaging Weight & Dimensions

Package 1 Net Weight	184.8 lbs / 84 Kg
Package 1 Width	20 in / 50.8 cm
Package 1 Gross Weight	330 lbs / 150 Kg
Package 1 Height	31 in / 78.74 cm
Package 1 Length	30 in / 76.2 cm