



## 20 ton Electric Chain Hoist 1 Speed 380V 3ø 50HZ 40ft G100 Nickel Duty H4/M5

### Key features

- Lifting Capacity: 20 tons (40,000 lbs)
- Power Supply: 380V, 3-phase, 50Hz
- Speed: Single speed operation for dependable lifting
- 3 Year Warranty, Customer Support and Service in the USA

### Electric Chain Hoist Description

The 20 Ton Electric Chain Hoist is designed for maximum lifting capability in heavy-duty industrial applications. With a lifting capacity of 20 tons, this hoist operates on 380V, 3-phase, 50Hz power, ensuring robust performance for various tasks. Featuring a single speed for reliable and consistent operation, it is ideal for lifting substantial loads safely and efficiently. Built for durability and equipped with essential safety features, this hoist is essential for demanding environments.

### Our Dedication to Excellence:

At Prowinch, our unwavering commitment to delivering the best price-performance ratio is evident in every Electric Chain Hoist we produce. We subject each unit to meticulous testing and continuously enhance key components, considering factors that influence lifespan. This commitment ensures that we consistently provide a superior product at an optimal price point.

### Enhanced Components:

Internally, each component has undergone substantial upgrades to meet the highest quality standards. Key electronic parts are carefully sourced from reputable brands, while locally manufactured lubricants are employed to fortify the durability of gears and reducers. The final assembly and testing processes take place in the US, guaranteeing that every unit surpasses corresponding standards.

### Single Speed Efficiency:

Our Single Speed Electric Chain Hoist is designed for straightforward yet efficient lifting operations. Perfect for applications where a consistent lifting speed is paramount, this hoist offers reliability and ease of use.

### Duty Classification:

Choosing the right unit is pivotal, and our M5-rated H4 hoists stand out for their excellence in high-volume handling. Tailored for environments like steel warehouses, machine shops, fabricating plants, and mills, these hoists boast a 50% maximum operational time per hour for uniformly distributed work periods. They can efficiently handle up to 300 starts per hour. In scenarios of infrequent work periods, the hoist can operate for 30 minutes from a cold start with up to 300 starts per hour. Operational time ratings adhere to a 65% load factor, following ASME HST-1-2012 guidelines.

### Control System:

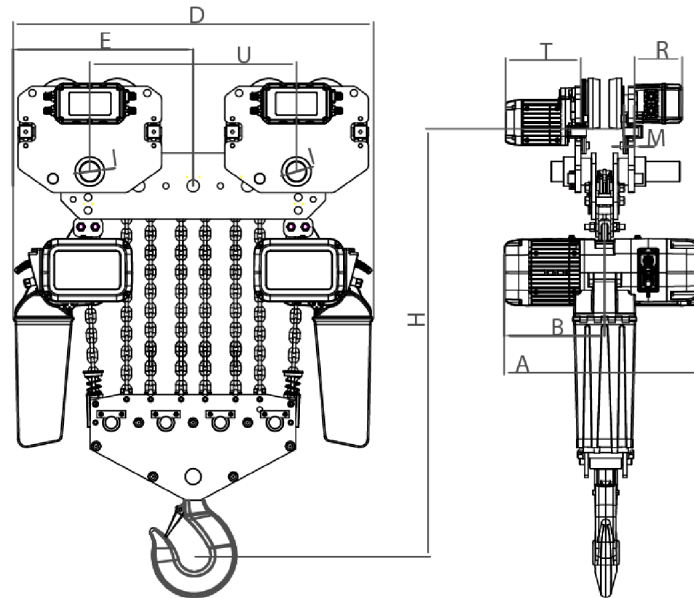
The Single Speed Electric Chain Hoist comes with a standard pendant control, designed with a length 4 feet less than the lifting height, ensuring easy operation from ground level. For added convenience, an optional wireless control is available.

## Advanced Braking System:

Our hoists feature an electromagnetic brake system, rigorously tested at 125% of the hoist capacity. This system is intelligently designed to engage automatically upon any loss of power, ensuring not only enhanced safety but also precise control over the operation of the hoist.

## Technical Specifications

<b>Rated Load Capacity</b>	20 ton	<b>Chain Falls</b>	8
<b>Standard Lifting Height</b>	40 ft / 12 m	<b>Chain Length</b>	320
<b>Speed (f/m) / min</b>	5.31 ft @60Hz 1.35 mt @50Hz	<b>Humidity</b>	20%~90%
<b>Number of Speeds</b>	1 Speed	<b>Temperature</b>	-4 ~ 104° F / -20 ~ 40° C
<b>Capacity Range</b>	9	<b>Standards Compliance</b>	ASME HST-1 , ASME B30.16 , EN60204-39
<b>Voltage</b>	3 Phase 380V 50Hz	<b>Warranty</b>	3 Year
<b>Total Power Watts</b>	6000	<b>Hoist Motor Power in KW</b>	3+3
<b>Duty Class</b>	H4/M5/2m/Class D	<b>Hour Meter</b>	Internal Working Hour Meter
<b>IEC Motor Protection</b>	IP55	<b>Hoist Motor Insulation Grade</b>	F
<b>Control</b>	Pendant Control IP66 and Optional Wireless	<b>Hoist Contactor Coil Voltage</b>	24 V
<b>Control Voltage</b>	24V	<b>Hoist Contactors Amps</b>	25A
<b>Emergency Stop</b>	Yes	<b>Hoist Contactor Brand</b>	Schneider
<b>Transmission / Reducer Type</b>	Spur gearbox	<b>IEC Hoist IP Protection</b>	IP55
<b>Load Chain Type</b>	G100 Nickel	<b>IEC Pendant Control Protection</b>	IP66
<b>Load Chain Size</b>	11.2 mm	<b>Hoist Motor Brake Type and DC Voltage</b>	DC170V



Rated load (t)	Type	Dimension (mm)												
		Minimum distance from the bottom of the track to the bottom hook: H	A	L	B	D	E	I	M	N	K	L	T	R
20	PWRXT20-08	1300	700	3500-5500	350	1246	623	71	40	80	120	96	242	167

## Unit Weight & Dimensions

<b>H Minimum Headroom</b>	1240
<b>J Hook Opening</b>	120
<b>A Total Height</b>	1270
<b>Total Weight (w/out cable or Chain)</b>	845
<b>D Depth</b>	700

## Packaging Weight & Dimensions

<b>Package 1 Net Weight</b>	1430 lbs / 649 Kg
<b>Package 1 Width</b>	30 in / 76.2 cm
<b>Package 1 Gross Weight</b>	1474 lbs / 669 Kg
<b>Package 1 Height</b>	51 in / 129.54 cm
<b>Package 1 Length</b>	55 in / 139.7 cm

<b>1st Package Type</b>	Wood Crate
<b>W Width</b>	1250
<b>Total Unit Weight</b>	1430 lbs / 649 Kg