



1/4 ton Electric Chain Hoist 1 Speed 208~240V / 440~480V 3Ø 60HZ

Key features

- Heavy Duty H4/M5 US and EC Standards ASME HST-1 , ASME B30.16 , EN14492-2 , EN60204-32
- Patented Overload Motor Slip Protection with Heavy Duty Electromagnetic Disk Brake
- German Brand Schneider UL Listed Contactors, Dual System Limit Switches, Emergency Stop
- Super Heavy Duty G100 Nickel Chain, 25% Stronger than G80. Standard ASTM A973
- 3 Year Warranty, Customer Support and Service in the USA

1/4 ton Electric Chain Hoist 1 Speed 208~240V / 440~480V 3Ø 60HZ

Our Dedication to Excellence:

At Prowinch, our unwavering commitment to delivering the best price-performance ratio is evident in every Electric Chain Hoist we produce. We subject each unit to meticulous testing and continuously enhance key components, considering factors that influence lifespan. This commitment ensures that we consistently provide a superior product at an optimal price point.

Enhanced Components:

Internally, each component has undergone substantial upgrades to meet the highest quality standards. Key electronic parts are carefully sourced from reputable brands, while locally manufactured lubricants are employed to fortify the durability of gears and reducers. The final assembly and testing processes take place in the US, guaranteeing that every unit surpasses corresponding standards.

Single Speed Efficiency:

Our Single Speed Electric Chain Hoist is designed for straightforward yet efficient lifting operations. Perfect for applications where a consistent lifting speed is paramount, this hoist offers reliability and ease of use.

Duty Classification:

Choosing the right unit is pivotal, and our M5-rated H4 hoists stand out for their excellence in high-volume handling. Tailored for environments like steel warehouses, machine shops, fabricating plants, and mills, these hoists boast a 50% maximum operational time per hour for uniformly distributed work periods. They can efficiently handle up to 300 starts per hour. In scenarios of infrequent work periods, the hoist can operate for 30 minutes from a cold start with up to 300 starts per hour. Operational time ratings adhere to a 65% load factor, following ASME HST-1-2012 guidelines.

Control System:

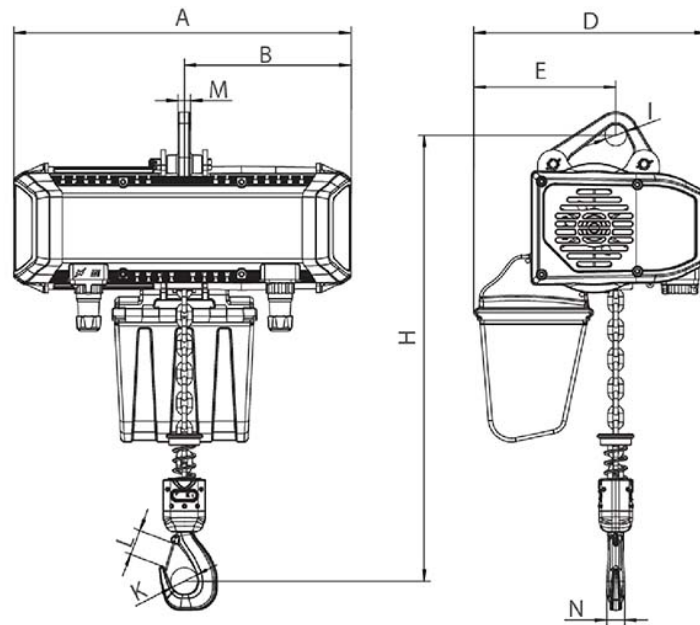
The Single Speed Electric Chain Hoist comes with a standard pendant control, designed with a length 4 feet less than the lifting height, ensuring easy operation from ground level. For added convenience, an optional wireless control is available.

Advanced Braking System:

Our hoists feature an electromagnetic brake system, rigorously tested at 125% of the hoist capacity. This system is intelligently designed to engage automatically upon any loss of power, ensuring not only enhanced safety but also precise control over the operation of the hoist.

Technical Specifications

Rated Load Capacity	1/4 ton	Power Cord Length and Phase Order	3 ft / Black L1 , Red L2 and Blue L3 Green ground
Capacity Range	1	Recommended Hoist Protection Circuit Breaker AMPs and Type	Type D 15A at 220V and 10A at 460V
Voltage	3 Phase 208~240/440~480V 50/60Hz	Optional Load Chain Brand & Country of Origin	FEC Japan
Standard Lifting Height	13 ft / 4 m	Load Chain Type	G100 Nickel
Speed (f/m) / min	37.79 ft @60Hz 9.6 mt @50Hz	Load Chain Size	5mm
Number of Speeds	1 Speed	Chain Falls	1
Hoist Contactors Amps	10A	Chain Length	13
Hoist Contactor Brand	Schneider	Load Chain weight per foot [lbs]	0.36
Hoist UL Components	UL Listed Contactors	Humidity	20%~90%
Hoist Contactor Coil Voltage	48V	Temperature	-4 ~ 104° F / -20 ~ 40° C
Duty Class	H4/M5/2m/Class D	Transmission / Reducer Type	Spur gearbox
IEC Hoist IP Protection	IP55	Reducer Lubrication Type	Oil
IEC Motor Protection	IP55	Paint Specifications	Electrostatic Sprayed Plastic (ESP) Epoxy resins, Polyester Resins, Barium, Pigments
Pendant Control Yes No	Yes	Standards Compliance	ASME HST-1 , ASME B30.16 , EN60204-36
IEC Pendant Control Protection	IP66	Standards Certified	CE
Pendant Control Emergency Stop	Yes	Overload Protection	Overload Motor Clutch
Pendant Control total Length	10 ft	Hour Meter	Internal Working Hour Meter
Hoist Motor Power in KW	0.5	Brake SKU	PWRX-0.25-0.5-PN.4.11
Hoist Motor Brake Type and DC Voltage	DC99V/DC207V	Brake rectifiers-half-wave	PWRX-BKTF-HW
Hoist Motor Insulation Grade	F	Brake rectifiers-full-wave	PWRX-BKTF-FW
Total Power Watts	500		



[Size list: mm]

Rated load (t)	Type	Minimum distance between hooks: H	A	B	D	E	I	M	N	K	L
0.25	PWRXF0.25-01	385	440	218	305	186	28	16	20	35	31
0.5	PWRXF0.5-01	385	440	218	305	186	28	16	20	35	31

Unit Weight & Dimensions

A Total Height	385
J Hook Opening	35
W Width	305
H Minimum Headroom	385
D Depth	440
1st Package Type	Wood Crate
Total Weight (w/out cable or Chain)	56
Total Unit Weight	61.16 lbs / 28 Kg

Packaging Weight & Dimensions

Package 1 Height	20 in / 50.8 cm
Package 1 Net Weight	61.16 lbs / 28 Kg
Package 1 Width	15 in / 38.1 cm
Package 1 Gross Weight	74.8 lbs / 34 Kg
Package 1 Length	20 in / 50.8 cm