



4000 lb 1 Speed Electric Chain Hoist Power Trolley 115/230V G100 Chain UL Wireless

Key features

- Capacity: Lifts up to 4,000 lbs
- Power Supply: Dual voltage options (115V/230V) for adaptable use
- Speed: Single-speed operation for effective lifting
- 3 Year Warranty, Customer Support and Service in the USA

Electric Chain Hoist Description

4000 lb Wireless Electric Chain Hoists are used for raising and lowering material. Power Cord is standard at 3 ft. for Hook and Push Trolley Mounts. Power Cord is standard at 3 ft. for Motorized Trolley Mounts. Hoists usually ship within 1-3 business days after ordering. Please call us at 1 (800) 971-8061 for any special requests. The Highest Quality, most Technologically Advanced Hoist in the Industry. Our hoist ranges from basic Light Duty H1 to Heavy Duty Motor - 60 minute, H4 classification, Class F insulation with cooling fins and standard thermal motor protection. Compact lightweight body offers one of the lowest headroom hoists in the industry. Extremely durable and reliable Pull Rotor Motor Brake. Contains NO brake coil to fail like conventional disc brakes. Durable Push-Button Pendant for easy, one-handed operation. Includes strain relief wire molded to pendant cord for added support and reliability. Easy Maintenance Control Panel is hinged to swing out to provide fast, easy, and trouble-free access. Completely Sealed Body suitable for both indoor and outdoor applications, including harsh environments. Gaskets throughout the hoist provide an IP55 rating. Oil Bath and precision machined helical and spur gears provide for quiet, smooth, and cool operations. Superior Quality Chain is precision gauged, Grade 80, manganese alloy load chain that is heat treated for wear resistance and extended life.

Prowinch Electric Chain Hoist

All of our **Electric Chain Hoists** are created with the goal of offering the best price-performance ratio. Key components such as lifespan factors are constantly tested and improved in order to offer the best product for the price.

Key Components

All internal components have been upgraded to meet the highest quality standards. Key electronic components are produced by American or German brands, and we use American-made lubricants to ensure the lifespan of gears and reducers. Final assembly and all tests are performed in the US before shipping to ensure that every unit meets the corresponding standard.

Duty Classification

Duty classification is a key factor when choosing the right unit. These H3 hoists are suitable for general machine shop fabricating, assembly, storage, and warehousing. For uniformly distributed work periods, the hoists have 25% max. operational time per hour and can handle up to 150 starts per hour. When being used for infrequent work periods, the hoist can be operated for 30 minutes from a cold start with up to 200 starts per hour. Operational time ratings are calculated at a 65% load factor, as per ASME HST-1-2012.

Control System

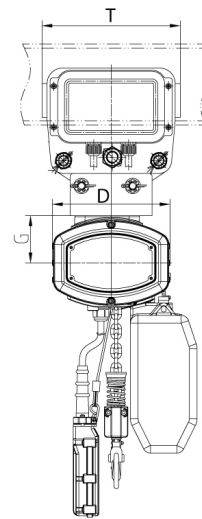
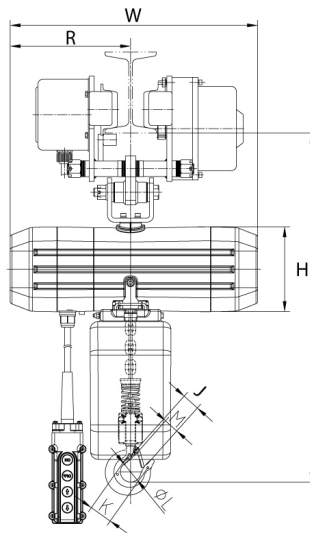
This **Electric Chain Hoist** comes with a pendant control with up, down, and emergency stop. The length of the pendant control is 4 feet less than the lifting height, which allows it to be easily operated from ground-level.

Braking System

The **electromagnetic brake system** is tested at 125% of the hoist capacity and is designed to automatically engage immediately upon any loss of power.

Technical Specifications

Rated Load Capacity	4000 lbs	Control Voltage	24V
Standard Lifting Height	20 ft / 6 m	Emergency Stop	Yes
Speed (f/m) / min	8 ft / 2.5 m	Load Chain Type	G100
Number of Speeds	1 Speed	Load Chain Size	8 x 24 mm
Voltage	1 Phase 110~120/220~240V 50/60Hz	Chain Falls	2
USA and Canada Voltage	110~120/220~240V	Chain Length	20 ft / 6 m
Total Power Watts	1000	Humidity	<85%
FCC ID	2AZMK-Q1212	Temperature	-4 ~ 104° F / -20 ~ 40° C
Duty Class	H3/M4/1Am/Class C	Noise Level	81 dB
Motor Power (6)	1.6 kW	Trolley Speed /min	33ft.
Motor Brake	Yes	Trolley Number of Speeds	1
Insulation Grade	F	I-Beam Width Range	7 in
IEC Motor Protection	IP55	Standards Compliance	UL 1340, ASME HST-1 , ASME B30.16 , B30.17 , EN60204-32
Control	Pendant Control and Industrial Wireless Control	Warranty	3 Year



Unit Weight & Dimensions

H Minimum Headroom	29.1 in
W Width	19.4 in
D Depth	11.6 in
J Hook Opening	1.7 in
Total Unit Weight	200 lbs / 91 Kg

Packaging Weight & Dimensions

Package 1 Net Weight	200 lbs / 91 Kg
Package 1 Width	28 in / 71.12 cm
Package 1 Gross Weight	262 lbs / 119 Kg
Package 1 Height	32 in / 81.28 cm
Package 1 Length	22 in / 55.88 cm