



## 1 Ton Electric Chain Hoist Power Trolley 2 Speed Hoist and Trolley 20 ft. G100 Chain M4/H3 230/460V

### Key features

- Load Capacity: Supports up to 1 ton (2,200 lbs.), ideal for medium-duty lifting tasks.
- Speed: Features dual-speed operation for precise control and flexibility during lifting.
- Power Trolley: Includes a power trolley for smooth and efficient horizontal movement along the beam.
- 3 Year Warranty, Customer Support and Service in the USA

### Electric Chain Hoist Description

This 1 ton Two-Speed Electric Chain Hoist with Power Trolley can be mounted wherever you need it. The hoist has a 20 foot lifting height and raises and lowers heavy loads with a powerful motor. The three-phase power supply and quick-connect electrical wiring system make it ideal for industrial or home applications.

### Prowinch Two Speed Electric Chain Hoist with Power Trolley

All of our Electric Chain Hoists are created with the goal of offering the best price-performance ratio. Key components such as lifespan factors are constantly tested and improved in order to offer the best product for the price.

### Key Components

All internal components have been upgraded to meet the highest quality standards. Key electronic components are produced by American or German brands, and we use American-made lubricants to ensure the lifespan of gears and reducers. Final assembly and all tests are performed in the US before shipping to ensure that every unit meets the corresponding standard.

### Duty Classification

Duty classification is a key factor when choosing the right unit. These H3 hoists are suitable for general machine shop fabricating, assembly, storage, and warehousing. For uniformly distributed work periods, the hoists have 25% max. operational time per hour and can handle up to 150 starts per hour. When being used for infrequent work periods, the hoist can be operated for 30 minutes from a cold start with up to 200 starts per hour. Operational time ratings are calculated at a 65% load factor, as per ASME HST-1-2012.

### Control System

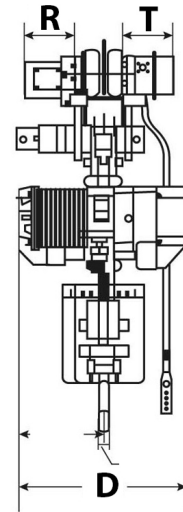
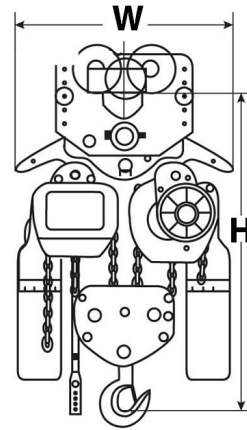
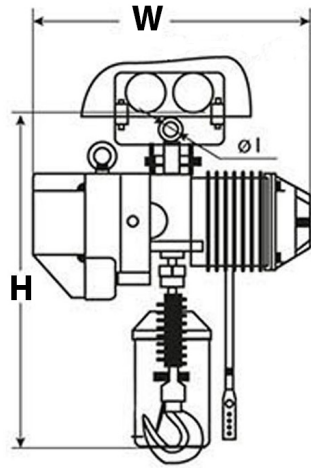
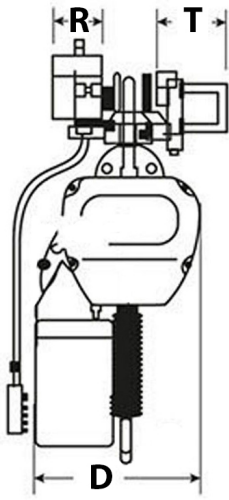
This electric chain hoist comes standard with a pendant control. The length of the control is 4 feet less than the lifting height, which allows it to be easily operated from ground-level. An optional wireless control is available for extra convenience.

### Braking System

The electromagnetic brake system is tested at 125% of the hoist capacity and is designed to automatically engage immediately upon any loss of power.

## Technical Specifications

<b>Rated Load Capacity</b>	2200 lb / 1000 kg	<b>Contactors</b>	EATON 12 AMP
<b>Standard Lifting Height</b>	20 ft / 6 m	<b>Transmission / Reducer Type</b>	Spur gearbox with Oil splash lubrication
<b>Speed (f/m) / min</b>	9&26ft/2.7&7.9m@60Hz 7.6&23ft/2.3&6.9m@50Hz	<b>Load Chain Type</b>	G100
<b>Number of Speeds</b>	2 Speed	<b>Load Chain Size</b>	7.1 x 21 mm
<b>Voltage</b>	3 Phase 208~240/440~480V 50/60Hz	<b>Chain Falls</b>	1
<b>USA and Canada Voltage</b>	208~240/440~480V	<b>Chain Length</b>	20 ft / 6 m
<b>Available Voltages</b>	208~240/440~480V for USA and 380/440~480V for CHILE	<b>Humidity</b>	<85%
<b>Duty Class</b>	H3/M4/1Am/Class C	<b>Temperature</b>	-4 ~ 104° F / -20 ~ 40° C
<b>Motor Power (6)</b>	1.5 kW	<b>Trolley Power</b>	0.4 / 0.12 kW
<b>Motor AMP</b>	7 / 3.6	<b>Noise Level</b>	81 dB
<b>Motor RPM</b>	3456 & 1152@60Hz / 2880 & 960@50Hz	<b>Trolley Speed /min</b>	36 - 68 ft /11 - 21 m
<b>Motor Brake</b>	Yes	<b>Trolley Number of Speeds</b>	2
<b>Insulation Grade</b>	F	<b>I-Beam Width Range</b>	52 - 153 mm
<b>IEC Motor Protection</b>	IP55	<b>Minimum Turn Radius</b>	2.6 ft / 0.8 m
<b>Control</b>	Pendant Control and Optional Wireless	<b>Standards Compliance</b>	ASME HST-1 , ASME B30.16 , B30.17, EN60204-32
<b>Control Voltage</b>	24V	<b>Warranty</b>	3 Year
<b>Emergency Stop</b>	Yes		



## Unit Weight & Dimensions

<b>T Trolley Motor Width</b>	5.6 in / 142 mm
<b>D Depth</b>	12 in / 300 mm
<b>R Trolley Cover Width</b>	9 in / 231 mm
<b>W Width</b>	23.4 in / 595 mm
<b>H Minimum Headroom</b>	25.5 in / 650 mm
<b>J Hook Opening</b>	1.25 in / 32 mm
<b>Total Unit Weight</b>	253 lbs / 115 Kg

## Packaging Weight & Dimensions

<b>Package 1 Net Weight</b>	253 lbs / 115 Kg
<b>Package 1 Width</b>	14 in / 35.56 cm
<b>Package 1 Gross Weight</b>	273 lbs / 124 Kg
<b>Package 1 Height</b>	32 in / 81.28 cm
<b>Package 1 Length</b>	27 in / 68.58 cm