



10 ton 22000 lb 208~240/440~480V 1 Speed Electric Chain Hoist Power Trolley 40 ft. G100 Chain H3 Duty

Key features

- Load Capacity: Supports up to 10 tons (22,000 lbs), suitable for heavy lifting and handling tasks.
- Voltage Options: Compatible with 208~240/440~480V electrical systems, providing flexibility for various industrial power setups.
- Power Trolley: Includes a power trolley for smooth and efficient horizontal movement along the beam.
- 3 Year Warranty, Customer Support and Service in the USA

Electric Chain Hoist Description

This 10 ton Electric Chain Hoist with Power Trolley can be mounted wherever you need it. The hoist has a 40 foot lifting height and raises and lowers heavy loads with a powerful motor. The three-phase power supply and quick-connect electrical wiring system make it ideal for industrial applications.

Prowinch Electric Chain Hoist

All of our Electric Chain Hoists are created with the goal of offering the best price-performance ratio. Key components such as lifespan factors are constantly tested and improved in order to offer the best product for the price. We offer optional variable speed trolleys with a potentiometer for those customers moving sensitive loads.

Key Components

All internal components have been upgraded to meet the highest quality standards. Key electronic components are produced by American or German brands, and we use American-made lubricants to ensure the lifespan of gears and reducers. Final assembly and all tests are performed in the US before shipping to ensure that every unit meets the corresponding standard.

Duty Classification

Duty classification is a key factor when choosing the right unit. These H3 hoists are suitable for general machine shop fabricating, assembly, storage, and warehousing. For uniformly distributed work periods, the hoists have 25% max. operational time per hour and can handle up to 150 starts per hour. When being used for infrequent work periods, the hoist can be operated for 30 minutes from a cold start with up to 200 starts per hour. Operational time ratings are calculated at a 65% load factor, as per ASME HST-1-2012.

Control System

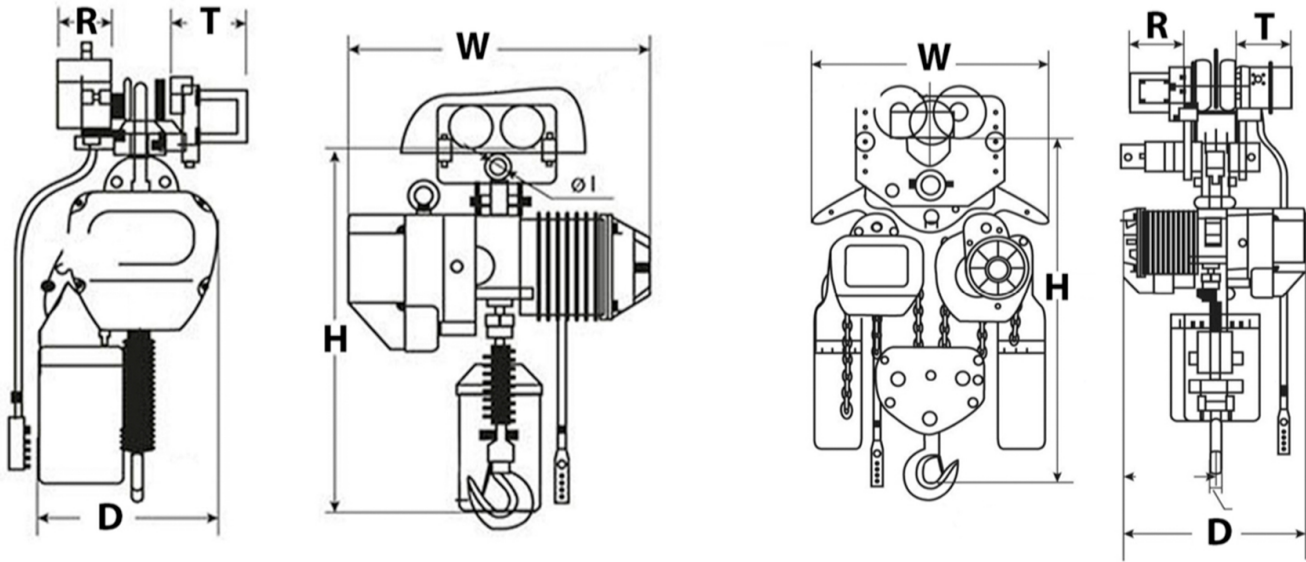
This electric chain hoist comes standard with a pendant control. The length of the control is 4 feet less than the lifting height, which allows it to be easily operated from ground-level. An optional wireless control is available for extra convenience.

Braking System

The electromagnetic brake system is tested at 125% of the hoist capacity and is designed to automatically engage immediately upon any loss of power.

Technical Specifications

Rated Load Capacity	22000 lb / 10000 kg	Contactors	EATON 25 AMP
Standard Lifting Height	40 ft / 12 m	Transmission / Reducer Type	Spur gearbox with Oil splash lubrication
Speed (f/m) / min	9ft/2.7m@60Hz 7.5ft/2.3m@50Hz	Load Chain Type	G100
Number of Speeds	1 Speed	Load Chain Size	11.2 x 34
Voltage	3 Phase 208~240/440~480V 50/60Hz	Chain Falls	4
USA and Canada Voltage	208~240/440~480V	Chain Length	160 ft / 48.5 m
Available Voltages	208~240/440~480V for USA and 380/440~480V for CHILE	Humidity	<85%
Duty Class	H3/M4/1Am/Class C	Temperature	-4 ~ 104° F / -20 ~ 40° C
Motor Power (6)	3.0 kW x 2	Trolley Power	0.8 kW x 2
Motor AMP	20 / 10	Noise Level	81 dB
Motor RPM	1728@60Hz 1440@50HZ	Trolley Speed /min	36 ft / 11 m
Motor Brake	Yes	Trolley Number of Speeds	1
Insulation Grade	F	I-Beam Width Range	100-178 mm
IEC Motor Protection	IP55	Minimum Turn Radius	6.6 ft / 2 m
Control	Pendant Control and Optional Wireless	Standards Compliance	ASME HST-1 , ASME B30.16 , B30.17 , EN60204-32
Control Voltage	24V	Warranty	3 Year
Emergency Stop	Yes		



Dimensions

Model		PWRC1	PWRC2	PWRC3	PWRC5	PWRC7	PWRC10	PWRC20
T	in	9.09	9.09	9.09	9.09	9.09	9.09	9.09
H		25.5	30.5	33	40	48	55	58
W		20.5	24.5	24	24	24	25	25
R		5.5	5.5	5.5	5.5	5.5	5.5	5.5
D		12	17	17	17	20	35	50



Unit Weight & Dimensions

Packaging Weight & Dimensions

T Trolley Motor Width	9.09 in / 231 mm	Package 1 Net Weight	836 lbs / 379 Kg
D Depth	15 in / 380 mm	Package 1 Width	27 in / 68.58 cm
R Trolley Cover Width	5.5 in / 142 mm	Package 1 Gross Weight	900 lbs / 408 Kg
W Width	25 in / 630 mm	Package 1 Height	36 in / 91.44 cm
H Minimum Headroom	47 in / 1190 mm	Package 1 Length	37 in / 93.98 cm
J Hook Opening	70		
Total Unit Weight	836 lbs / 380 Kg		