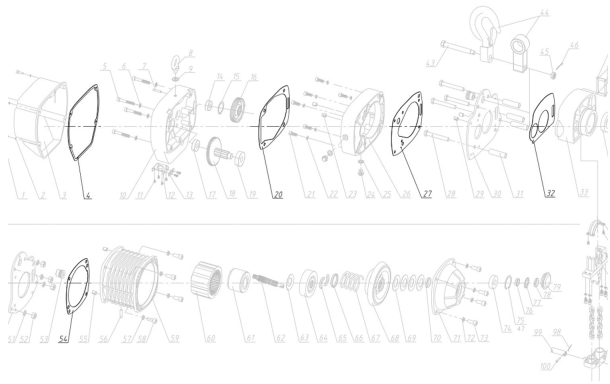


Gasket Set PWR1 PWR1i PWRC1 PWRC1i

Key features

- **High-Quality Materials:** Crafted from durable materials that resist wear, heat, and chemical exposure, ensuring long-lasting performance.
- **Complete Set:** Includes all necessary gaskets for comprehensive coverage, making it easy to replace worn or damaged seals.
- **Precision Engineering:** Designed specifically for compatibility with PWR1, PWR1i, PWRC1, and PWRC1i models, guaranteeing a perfect fit and effective sealing.



Gasket Set PWR1 PWR1i PWRC1 PWRC1i Description

The Gasket Set for PWR1, PWR1i, PWRC1, and PWRC1i is a comprehensive collection of gaskets designed to ensure proper sealing in various components of hoisting systems. This set is essential for maintaining optimal performance and preventing leaks in the equipment.

Technical Specifications

Unit Weight & Dimensions

Total Unit Weight	1 lbs / 1 Kg
--------------------------	--------------

Packaging Weight & Dimensions

Package 1 Net Weight	1 lbs / 0 Kg
-----------------------------	--------------

Package 1 Width	10 in / 25.4 cm
------------------------	-----------------

Package 1 Gross Weight	1 lbs / 0 Kg
-------------------------------	--------------

Package 1 Height	5 in / 12.7 cm
-------------------------	----------------

Package 1 Length	10 in / 25.4 cm
-------------------------	-----------------