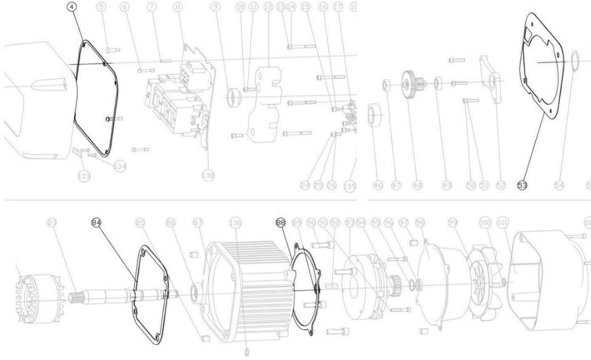


Gasket Set PWR05M5 PWR05M5i PWRC05M5 PWRC05M5i

Key features

- **Durable Materials:** Made from high-grade materials that resist wear, heat, and chemical exposure, ensuring long-lasting seals.
- **Comprehensive Coverage:** Includes various gaskets tailored for different components, providing complete sealing solutions for your hoisting systems.
- **Precision Fit:** Designed specifically for compatibility with PWR05M5, PWR05M5i, PWRC05M5, and PWRC05M5i models, ensuring optimal performance and reliability.



Gasket Set PWR05M5 PWR05M5i PWRC05M5 PWRC05M5i Description

The Gasket Set for PWR05M5, PWR05M5i, PWRC05M5, and PWRC05M5i is a comprehensive collection of high-quality gaskets designed to ensure proper sealing within hoisting systems. This set is essential for preventing leaks and maintaining optimal performance in various operational conditions.

Technical Specifications

Unit Weight & Dimensions

Total Unit Weight	1 lbs / 1 Kg
--------------------------	--------------

Packaging Weight & Dimensions

Package 1 Net Weight	1 lbs / 0 Kg
-----------------------------	--------------

Package 1 Length	10 in / 25.4 cm
-------------------------	-----------------

Package 1 Gross Weight	2 lbs / 1 Kg
-------------------------------	--------------

Package 1 Width	8 in / 20.32 cm
------------------------	-----------------