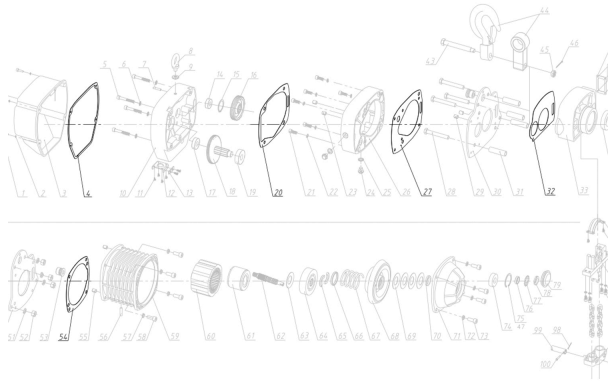


Gasket Set PWR05 PWR05i PWRC05 PWRC05i

Key features

- High-Quality Materials: Made from durable, oil-resistant materials that withstand high temperatures and pressures, ensuring long-lasting reliability.
- Complete Set: Includes all necessary gaskets for comprehensive sealing of various components within the PWR05 and PWRC05 models.
- Precision Fit: Designed specifically for PWR05, PWR05i, PWRC05, and PWRC05i, ensuring an exact fit to prevent leaks and maintain system integrity.



Gasket Set Description

The Gasket Set for PWR05, PWR05i, PWRC05, and PWRC05i is a critical collection of sealing components designed to ensure proper sealing in hoisting systems. Engineered for durability and precise fit, this gasket set helps prevent leaks and maintain optimal performance in your equipment.

Technical Specifications

Unit Weight & Dimensions

Total Unit Weight	1 lbs / 1 Kg
--------------------------	--------------

Packaging Weight & Dimensions

Package 1 Net Weight	1 lbs / 0 Kg
-----------------------------	--------------

Package 1 Width	8 in / 20.32 cm
------------------------	-----------------

Package 1 Gross Weight	2 lbs / 1 Kg
-------------------------------	--------------

Package 1 Height	4 in / 10.16 cm
-------------------------	-----------------

Package 1 Length	10 in / 25.4 cm
-------------------------	-----------------