



5 Ton I Beam Manual Pushing Trolley with rubber bump stops

Key features

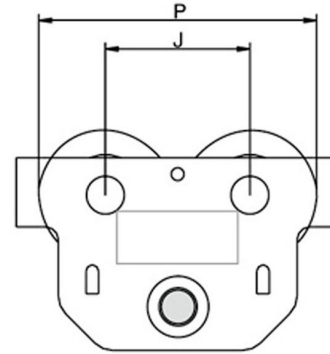
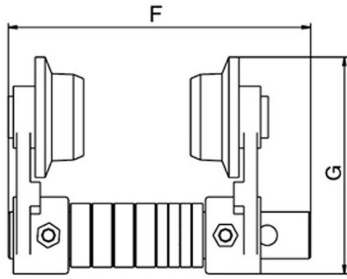
- US and EC Standards ASME HST-1 , ASME B30.17 , EN14492-2 , EN60204-32
- Equipped with rubber bump stops and safety pins for enhanced safety and protection
- Heavy Duty I-beam manual pushing a trolley for smooth movement along beams
- Durable construction for long-term reliability and performance, Compatible S-beam and W-beam
- 3 Year Warranty, Customer Support and Service in the USA

5 Ton I Beam Manual Pushing Trolley with rubber bump stops Description

The 5 Ton I Beam Manual Pushing Trolley with rubber bump stops is a heavy-duty material handling solution designed for industrial applications. With a lifting capacity of 5 tons (10,000 lbs), this trolley glides effortlessly along standard I-beams, making it ideal for use in warehouses, manufacturing facilities, and construction sites. The rubber bump stops enhance safety by preventing the trolley from rolling off the beam, ensuring secure and stable operation during use. Constructed for durability and ease of use, this manual trolley is essential for efficiently moving heavy loads while maintaining safety and performance.

Technical Specifications

Rated Load Capacity	11000 lb / 5000 kg	Minimum Turn Radius	5.2 ft / 1.6 m
I-Beam Width Range	3~6 in / 82~153 mm	Warranty	3 Year



Model / Modelo	PWQM1T	PWQM3T	PWQM5T	PWQM10T	
Dimensions / Dimensiones	F	7.5 in / 190 mm	10.8 in / 275 mm	10.8 in / 275 mm	13.4 in / 340 mm
	G	5.3 in / 135 mm	8.1 in / 205 mm	9.3 in / 236 mm	12.6 in / 320 mm
	P	6.3 in / 160 mm	10.4 in / 265 mm	12 in / 305 mm	14.4 in / 365 mm
	J	3.5 in / 90 mm	5.4 in / 138 mm	6.2 in / 157 mm	7.7 in / 195 mm

Unit Weight & Dimensions

Total Unit Weight	71 lbs / 33 Kg
--------------------------	----------------

Packaging Weight & Dimensions

Package 1 Net Weight	71 lbs / 32 Kg
Package 1 Width	11 in / 27.94 cm
Package 1 Gross Weight	70 lbs / 32 Kg
Package 1 Height	14 in / 35.56 cm
Package 1 Length	15 in / 38.1 cm