



1 Ton I Beam Manual Pushing Trolley with rubber bump stops

Key features

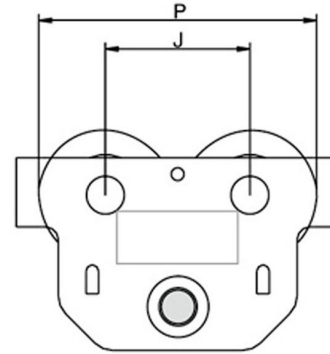
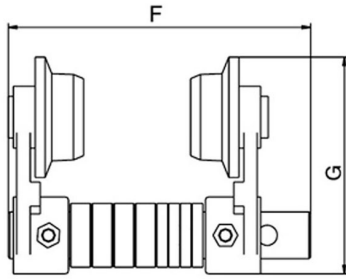
- US and EC Standards ASME HST-1 , ASME B30.17 , EN14492-2 , EN60204-32
- Equipped with rubber bump stops and safety pins for enhanced safety and protection
- Heavy Duty I-beam manual pushing a trolley for smooth movement along beams
- Durable construction for long-term reliability and performance, Compatible S-beam and W-beam
- 3 Year Warranty, Customer Support and Service in the USA

1 Ton I Beam Manual Pushing Trolley with rubber bump stops Description

The 1 Ton I Beam Manual Pushing Trolley with rubber bump stops is an essential tool for efficient material handling in various industrial applications. Designed to support a lifting capacity of 1 ton (2,000 lbs), this trolley operates smoothly along standard I-beams, making it ideal for warehouses, workshops, and construction sites. The rubber bump stops provide an added layer of safety by preventing the trolley from rolling off the beam, ensuring secure operation during use. Its durable construction and user-friendly design make it a reliable choice for moving loads safely and efficiently.

Technical Specifications

| | | | |
|----------------------------|--------------------|----------------------------|--------------|
| Rated Load Capacity | 2200 lb / 1000 kg | Minimum Turn Radius | 3.3 ft / 1 m |
| I-Beam Width Range | 2~4 in / 50~102 mm | Warranty | 3 Year |



| Model / Modelo | PWQM1T | PWQM3T | PWQM5T | PWQM10T | |
|--------------------------|--------|-----------------|------------------|------------------|------------------|
| Dimensions / Dimensiones | F | 7.5 in / 190 mm | 10.8 in / 275 mm | 10.8 in / 275 mm | 13.4 in / 340 mm |
| | G | 5.3 in / 135 mm | 8.1 in / 205 mm | 9.3 in / 236 mm | 12.6 in / 320 mm |
| | P | 6.3 in / 160 mm | 10.4 in / 265 mm | 12 in / 305 mm | 14.4 in / 365 mm |
| | J | 3.5 in / 90 mm | 5.4 in / 138 mm | 6.2 in / 157 mm | 7.7 in / 195 mm |

Unit Weight & Dimensions

| | |
|--------------------------|---------------|
| Total Unit Weight | 13 lbs / 6 Kg |
|--------------------------|---------------|

Packaging Weight & Dimensions

| | |
|-------------------------------|------------------|
| Package 1 Net Weight | 13 lbs / 6 Kg |
| Package 1 Width | 23 in / 58.42 cm |
| Package 1 Gross Weight | 15 lbs / 7 Kg |
| Package 1 Height | 14 in / 35.56 cm |
| Package 1 Length | 13 in / 33.02 cm |