



10 Ton I Beam Manual Pushing Trolley with rubber bump stops

Key features

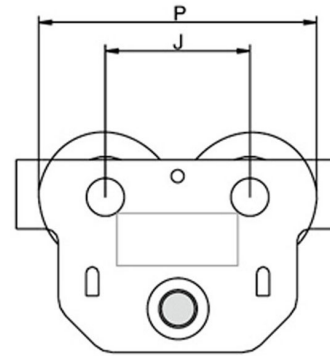
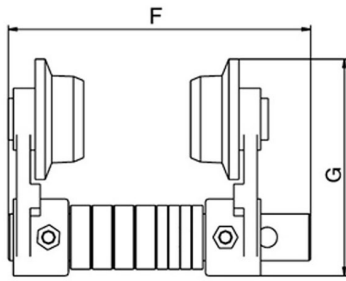
- US and EC Standards ASME HST-1 , ASME B30.17 , EN14492-2 , EN60204-32
- Equipped with rubber bump stops and safety pins for enhanced safety and protection
- Heavy Duty I-beam manual pushing a trolley for smooth movement along beams
- Durable construction for long-term reliability and performance, Compatible S-beam and W-beam
- 3 Year Warranty, Customer Support and Service in the USA

10 Ton I Beam Manual Pushing Trolley with rubber bump stops Description

The 10 Ton I Beam Manual Pushing Trolley with rubber bump stops is a heavy-duty lifting solution designed for the efficient movement of materials in industrial environments. With a substantial lifting capacity of 10 tons (20,000 lbs), this trolley is engineered to handle large loads with ease. It glides smoothly along standard I-beams, making it ideal for warehouses, manufacturing facilities, and construction sites. The rubber bump stops enhance safety by preventing the trolley from rolling off the beam, ensuring secure operation during use. Its durable construction and user-friendly design promote effective material handling and increased productivity.

Technical Specifications

Rated Load Capacity	22000 lb / 10000 kg	Minimum Turn Radius	5.6 ft / 1.7 m
I-Beam Width Range	4-7 in / 100-180 mm	Warranty	3 Year



Model / Modelo	PWQM1T	PWQM3T	PWQM5T	PWQM10T	
Dimensions / Dimensiones	F	7.5 in / 190 mm	10.8 in / 275 mm	10.8 in / 275 mm	13.4 in / 340 mm
	G	5.3 in / 135 mm	8.1 in / 205 mm	9.3 in / 236 mm	12.6 in / 320 mm
	P	6.3 in / 160 mm	10.4 in / 265 mm	12 in / 305 mm	14.4 in / 365 mm
	J	3.5 in / 90 mm	5.4 in / 138 mm	6.2 in / 157 mm	7.7 in / 195 mm

Unit Weight & Dimensions

Total Unit Weight	130 lbs / 59 Kg
--------------------------	-----------------

Packaging Weight & Dimensions

Package 1 Net Weight	130 lbs / 59 Kg
Package 1 Width	16 in / 40.64 cm
Package 1 Gross Weight	141 lbs / 64 Kg
Package 1 Height	13 in / 33.02 cm
Package 1 Length	19 in / 48.26 cm