



Snatch Block Swivel Clevis Shackle wire rope pulley 8 Ton

Key features

- Load Capacity: Rated for up to 8 tons, making it suitable for medium-duty lifting and towing operations.
- Durable Construction: Crafted from high-quality materials to ensure long-lasting performance and resilience in tough working environments.
- Swivel Clevis Shackle: Provides easy attachment and repositioning, allowing for versatile use while minimizing wear on the wire rope.
- 3 Year Warranty, Customer Support and Service in the USA

Snatch Block Swivel Clevis Shackle wire rope pulley 8 Ton Description

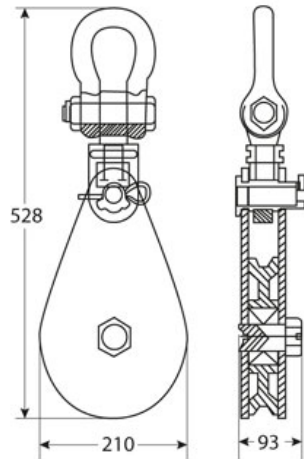
The 8 Ton Snatch Block is a robust wire rope pulley designed for efficient lifting and rigging applications. Featuring a swivel clevis shackle, this snatch block offers enhanced maneuverability and flexibility, making it ideal for various industrial, construction, and towing tasks.

Prowinch Snatch Blocks Pulleys

All of our **Snatch Blocks Pulleys** are created with the goal of offering the best quality and performance. Key components such as lifespan factors are constantly tested and improved in order to offer the best product for the price.

Technical Specifications

Rated Load Capacity	17636 lb / 8000 kg	Design Factor	4:1
Recommended wire rope	7/8 in / 19 ~ 22 mm	Warranty	3 Year
Pulley Diameter	Ø7.8 in / Ø200 mm		



Dimensions in mm / Dimensiones en mm

Packaging Weight & Dimensions

Package 1 Gross Weight	44 lbs / 20 Kg
Package 1 Width	9 in / 22.86 cm
Package 1 Length	22 in / 55.88 cm
Package 1 Height	5 in / 12.7 cm