



## 50 Ton Snatch Block Swivel Clevis Shackle wire rope pulley

### Key features

- Load Capacity: Rated for loads up to 50 tons, suitable for the most demanding lifting and towing operations.
- Heavy-Duty Construction: Built from high-strength materials to ensure durability and withstand rigorous conditions, providing long-lasting performance.
- Swivel Clevis Shackle: Allows for easy connection and repositioning, offering flexibility in various lifting scenarios and reducing wear on the wire rope.
- 3 Year Warranty, Customer Support and Service in the USA

### 50 Ton Snatch Block Swivel Clevis Shackle wire rope pulley Description

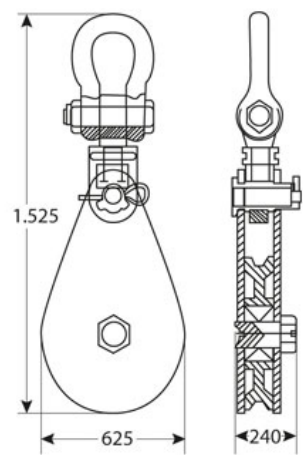
The 50 Ton Snatch Block is a heavy-duty wire rope pulley designed for high-capacity lifting and towing applications. Featuring a swivel clevis shackle, this snatch block provides enhanced versatility and maneuverability, making it ideal for industrial, construction, and rigging tasks where reliable performance is crucial.

### Prowinch Snatch Blocks Pulleys

All of our **Snatch Blocks Pulleys** are created with the goal of offering the best quality and performance. Key components such as lifespan factors are constantly tested and improved in order to offer the best product for the price.

## Technical Specifications

<b>Rated Load Capacity</b>	110 231 lb / 50 000 kg	<b>Design Factor</b>	4:1
<b>Recommended wire rope</b>	1 7/8 ~ 2 in / 46 ~ 50 mm	<b>Warranty</b>	3 Year
<b>Pulley Diameter</b>	Ø23.6 in / Ø600 mm		



Dimensions in mm / Dimensiones en mm

## Packaging Weight & Dimensions

<b>Package 1 Gross Weight</b>	925 lbs / 420 Kg
<b>Package 1 Width</b>	28 in / 71.12 cm
<b>Package 1 Length</b>	63 in / 160.02 cm
<b>Package 1 Height</b>	16 in / 40.64 cm