



Wire Rope Pulley 4 Ton

Key features

- Load Capacity: Supports loads up to 4 tons, making it ideal for a range of lifting tasks.
- Durable Construction: Crafted from high-quality materials to ensure longevity and withstand harsh working conditions.
- Smooth Operation: Designed to reduce friction on the wire rope, allowing for effortless lifting and minimizing wear.
- 3 Year Warranty, Customer Support and Service in the USA

Wire Rope Pulley 4 Ton Description

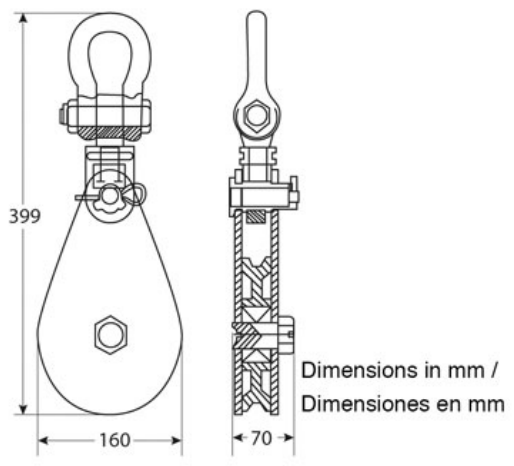
The Wire Rope Pulley with a capacity of 4 tons is an essential tool designed for efficient lifting and material handling across various industries. This sturdy and reliable pulley is perfect for both commercial and industrial applications, providing the performance needed for medium loads.

Prowinch Snatch Blocks Pulleys

All of our **Snatch Blocks Pulleys** are created with the goal of offering the best quality and performance. Key components such as lifespan factors are constantly tested and improved in order to offer the best product for the price.

Technical Specifications

Rated Load Capacity	8818 lb / 4000 kg	Design Factor	4:1
Recommended wire rope	5/8 ~ 54/64 in / 16 ~ 18 mm	Warranty	3 Year
Pulley Diameter	Ø5.9 in / Ø150 mm		



Unit Weight & Dimensions

Total Unit Weight	17 lbs / 8 Kg
--------------------------	---------------

Packaging Weight & Dimensions

Package 1 Net Weight	17 lbs / 8 Kg
Package 1 Width	7 in / 17.78 cm
Package 1 Gross Weight	17 lbs / 8 Kg
Package 1 Height	3 in / 7.62 cm
Package 1 Length	18 in / 45.72 cm