



## Wire Rope Pulley 30 Ton

### Key features

- **Load Capacity:** Designed to support loads up to 30 tons, making it perfect for the most demanding lifting operations.
- **Heavy-Duty Construction:** Built from high-strength materials to withstand tough conditions, ensuring long-lasting durability and performance.
- **Efficient Operation:** Designed to minimize friction and wear on the wire rope, facilitating smooth and efficient lifting.
- **3 Year Warranty, Customer Support and Service in the USA**

### Wire Rope Pulley 30 Ton Description

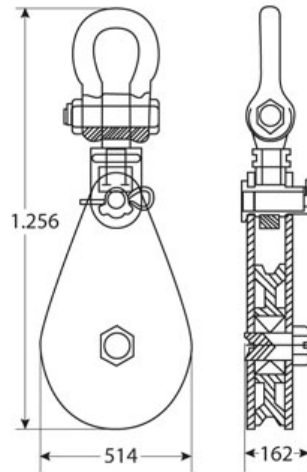
The Wire Rope Pulley rated for 30 tons is engineered for heavy-duty lifting applications, providing superior performance and reliability in demanding environments. This robust pulley is ideal for industrial, construction, and rigging tasks where safe and efficient handling of substantial loads is essential.

### Prowinch Snatch Blocks Pulleys

All of our **Snatch Blocks Pulleys** are created with the goal of offering the best quality and performance. Key components such as lifespan factors are constantly tested and improved in order to offer the best product for the price.

## Technical Specifications

|                              |                               |                      |        |
|------------------------------|-------------------------------|----------------------|--------|
| <b>Rated Load Capacity</b>   | 66 138 lb / 30 000 kg         | <b>Design Factor</b> | 4:1    |
| <b>Recommended wire rope</b> | 1 1/8 ~ 1 1/2 in / 32 ~ 38 mm | <b>Warranty</b>      | 3 Year |
| <b>Pulley Diameter</b>       | Ø19.6 in / Ø500 mm            |                      |        |



Dimensions in mm / Dimensiones en mm

## Unit Weight & Dimensions

|                          |                  |
|--------------------------|------------------|
| <b>Total Unit Weight</b> | 458 lbs / 208 Kg |
|--------------------------|------------------|

## Packaging Weight & Dimensions

|                               |                   |
|-------------------------------|-------------------|
| <b>Package 1 Net Weight</b>   | 458 lbs / 208 Kg  |
| <b>Package 1 Width</b>        | 27 in / 68.58 cm  |
| <b>Package 1 Gross Weight</b> | 496 lbs / 225 Kg  |
| <b>Package 1 Height</b>       | 11 in / 27.94 cm  |
| <b>Package 1 Length</b>       | 62 in / 157.48 cm |