



Wire Rope Pulley 2 Ton

Key features

- **Load Capacity:** Supports loads up to 2 tons, making it suitable for a wide range of lifting tasks.
- **Robust Construction:** Made from high-quality materials that provide durability and resistance to wear, ensuring long-lasting performance.
- **Smooth Operation:** Engineered to minimize friction on the wire rope, allowing for easy lifting and reducing wear over time.
- **3 Year Warranty, Customer Support and Service in the USA**

Wire Rope Pulley 2 Ton Description

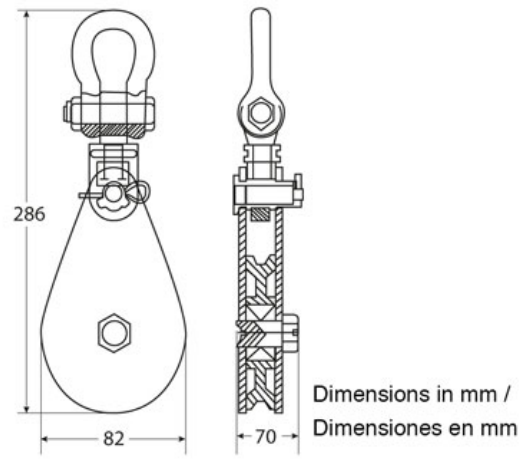
The Wire Rope Pulley rated for 2 tons is a versatile and essential tool designed for efficient lifting and material handling in various applications. Ideal for both commercial and industrial settings, this pulley ensures reliable performance for light to medium loads.

Prowinch Snatch Blocks Pulleys

All of our **Snatch Blocks Pulleys** are created with the goal of offering the best quality and performance. Key components such as lifespan factors are constantly tested and improved in order to offer the best product for the price.

Technical Specifications

Rated Load Capacity	4400 lb / 2000 kg	Design Factor	4:1
Recommended wire rope	5/16 ~ 3/8 in / 7 ~ 9 mm	Warranty	3 Year
Pulley Diameter	Ø2.6 in / Ø75 mm		



Unit Weight & Dimensions

Total Unit Weight	6 lbs / 3 Kg
--------------------------	--------------

Packaging Weight & Dimensions

Package 1 Net Weight	6 lbs / 3 Kg
Package 1 Width	5 in / 12.7 cm
Package 1 Gross Weight	8 lbs / 4 Kg
Package 1 Height	3 in / 7.62 cm
Package 1 Length	12 in / 30.48 cm