



## Hydraulic Davit Crane 2000 lbs 360° Swivel with Automatic Brake Winch

### Key features

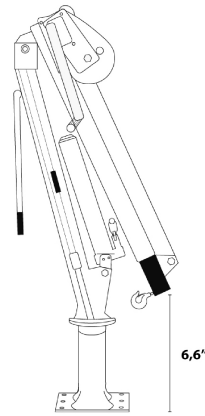
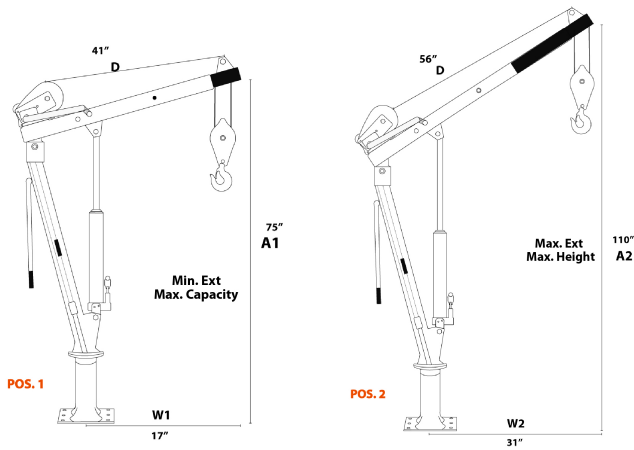
- Load Capacity: Supports up to 2000 lbs, ideal for heavy lifting tasks.
- Hydraulic Foldable Design: Easily folds for compact storage and transport, making it user-friendly and portable.
- Durable Construction: Made from high-quality materials for long-lasting performance and reliability.
- 1 Year Warranty, Customer Support and Service in the USA

### Hydraulic Foldable Davit Crane with winch Description

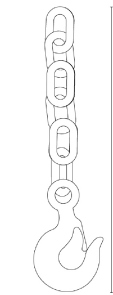
The Hydraulic Foldable Davit Crane with Winch is a professional-grade lifting solution designed for efficiency and versatility. With a load capacity of up to 2000 lbs, this crane features a 360-degree swivel for maximum maneuverability and a hydraulic foldable design for easy transport and storage. Equipped with a high-quality hand winch featuring an automatic brake, this crane is perfect for a wide range of lifting applications in workshops, construction sites, and more.

## Technical Specifications

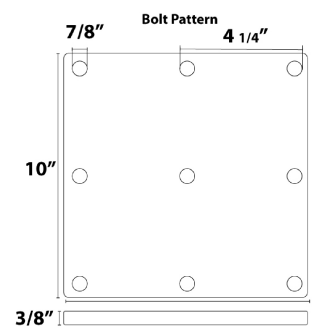
Rated Load Capacity 2200 lb / 907 kg      Warranty 1 Year



CAPACITY	POS.1	POS.2
	MAX.	1.984 lb
RECOMMENDED	1.653 lb	826 lb



Adaptable Crane Hook



## Unit Weight & Dimensions

A Total Height	75"
W Width	31"
D Depth	10"
Total Unit Weight	125 lbs / 57 Kg

## Packaging Weight & Dimensions

Package 1 Net Weight	71 lbs / 32 Kg
Package 2 Width	12 in / 30.48 cm
Package 1 Gross Weight	80 lbs / 36 Kg
Package 2 Height	13 in / 33.02 cm
Package 1 Length	41 in / 104.14 cm
Package 3 Net Weight	17 lbs / 8 Kg
Package 1 Width	9 in / 22.86 cm
Package 3 Gross Weight	20 lbs / 9 Kg
Package 1 Height	9 in / 22.86 cm
Package 3 Length	12 in / 30.48 cm
Package 2 Net Weight	37 lbs / 17 Kg
Package 3 Width	8 in / 20.32 cm
Package 2 Gross Weight	17 lbs / 8 Kg
Package 3 Height	9 in / 22.86 cm
Package 2 Length	12 in / 30.48 cm