



Fixed Pulley Diameter 576mm for 32mm cable 20Tons

Key features

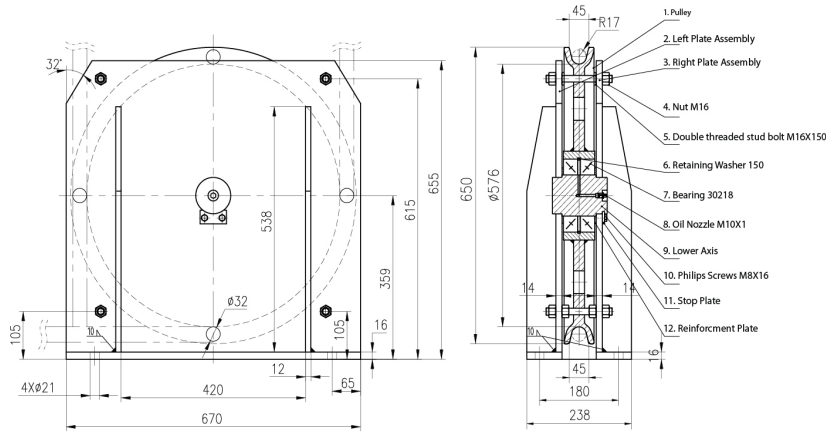
- **Load Capacity:** Designed to handle substantial loads of up to 20 tons, providing reliable performance for demanding tasks.
- **Pulley Diameter:** The 576mm diameter ensures smooth operation, reducing cable wear and enhancing lifting efficiency.
- **Durable Construction:** Crafted from high-quality materials for exceptional strength and durability, ensuring long-lasting use in tough conditions.
- **3 Year Warranty, Customer Support and Service in the USA**

Fixed Pulley Diameter 576mm for 32mm cable 20Tons Description

Fixed Pulley with a Diameter of 576mm is engineered for heavy lifting applications, capable of supporting loads up to 20 tons. This pulley is designed to work with a 32mm cable, making it ideal for industrial and construction environments where efficiency and strength are critical.

Technical Specifications

Rated Load Capacity	44092 lb / 20000 kg	Standards Compliance	Meets or exceeds All ASME B30.26 - 2020 requirements
Pulley Diameter	Ø19.6 in / Ø500 mm	Warranty	3 Year
Safety Factor	5:1		



Technical Requirements:

1. The bearing should be lubed during assembly and the pulley should rotate freely.
2. Rated load 20t, Test load 40t .

Unit Weight & Dimensions

A Total Height	33 in
W Width	29 in
D Depth	11 in

Packaging Weight & Dimensions

Package 1 Gross Weight	483 lbs / 219 Kg
Package 1 Width	29 in / 73.66 cm
Package 1 Length	11 in / 27.94 cm
Package 1 Height	33 in / 83.82 cm