



## Fixed Pulley Diameter 396mm for 22mm cable 10 Tons F 4 to 1

### Key features

- Load Capacity: Capable of supporting loads up to 10 tons, ensuring it meets the demands of heavy lifting tasks.
- Pulley Diameter: The 396mm diameter allows for smooth operation, minimizing wear on the cable and improving efficiency.
- Mechanical Advantage: Features a 4:1 mechanical advantage, making it easier to lift and manage heavy loads with less physical effort.
- 3 Year Warranty, Customer Support and Service in the USA

### Fixed Pulley Diameter 396mm for 22mm cable 10 Tons F 4 to 1 Description

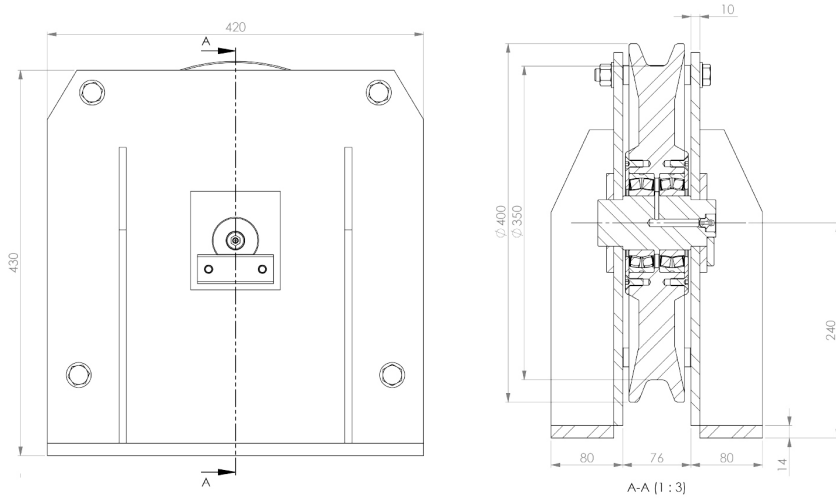
Fixed Pulley with a Diameter of 396mm is designed for heavy-duty lifting applications, providing a robust solution for handling significant loads. This pulley accommodates a 22mm cable and boasts a load capacity of 10 tons, making it ideal for industrial and construction environments where reliability and efficiency are paramount. With a mechanical advantage of 4:1, this pulley simplifies the lifting process.

### Prowinch Snatch Blocks Pulleys

All of our **Snatch Blocks Pulleys** are created with the goal of offering the best quality and performance. Key components such as lifespan factors are constantly tested and improved in order to offer the best product for the price.

### Technical Specifications

<b>Rated Load Capacity</b>	22046 lb / 10000 kg	<b>Standards Compliance</b>	ASME B30.22
<b>Recommended wire rope</b>	7/8 in / 22 mm	<b>Warranty</b>	3 Year
<b>Pulley Diameter</b>	Ø15.7 in / Ø400 mm		



**Technical Requirements:**

1. When installing the pulley block, there should be at least one wire rope installed in the direction of the force, so that the pulley base is compressed.
2. The angle between the Ø22mm wire rope and the center of the pulley should not be greater than 5°.
3. Fill 2/3 of the bearing with lithium-based grease.