

3 Ton Top Running Motorized End Trucks Single Girder up to 34ft Span 220/440V 3P



Key features

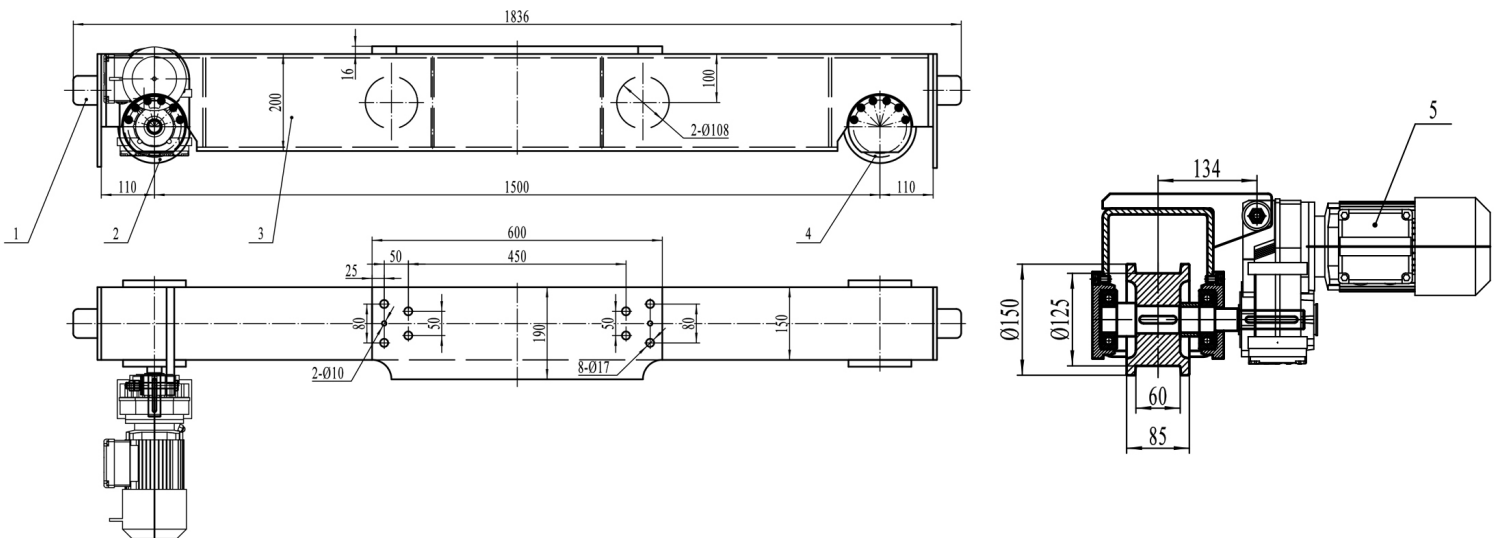
- Load Capacity: Supports up to 3 tons, making it suitable for moderate to heavy lifting tasks.
- Power Supply: Functions on 220/440V 3-phase power, providing consistent and reliable motorized performance.
- Versatile Applications: Ideal for use in warehouses, manufacturing plants, and other industrial environments.
- 3 Year Warranty, Customer Support and Service in the USA

The 3 Ton Top Running Motorized End Trucks Description

The 3 Ton Top Running Motorized End Trucks are designed for single girder configurations, accommodating spans of up to 34 feet. Operating on a 220/440V 3-phase power supply, this system provides reliable and efficient performance for various overhead lifting applications.

Technical Specifications

Rated Load Capacity	3 Ton	Motor Brake	Yes
Speed (f/m) / min	66 ft	IEC Motor Protection	IP54
Number of Speeds	1 Speed - Optional Variable Speed	Variable Frequency Driver	Optional 1.1 Kw
Voltage	3 Phase 220~240/440~480V 60Hz	Dynamic Brake	Only with VFD Optional
Total Power Watts	0.25 x 2	Control	Not Included. Optional single Speed, 2 Speed and Variable Speed
Max. Span	30 Ft	I-Beam Width Range	Any
Material	Steel	Standards Compliance	ASME / CMAA / Nch
Duty Class	H4/M5/2m/Class D	Warranty	3 Year



Unit Weight & Dimensions

End-Truck Length	1500 mm
Total Unit Weight	980 lbs / 445 Kg

Packaging Weight & Dimensions

Package 1 Net Weight	980 lbs / 445 Kg
Package 1 Width	26 in / 66.04 cm
Package 1 Gross Weight	728 lbs / 330 Kg
Package 1 Height	30 in / 76.2 cm
Package 1 Length	77 in / 195.58 cm