



## 7.2 Tons 15800 lbs Air Winch

### Key features

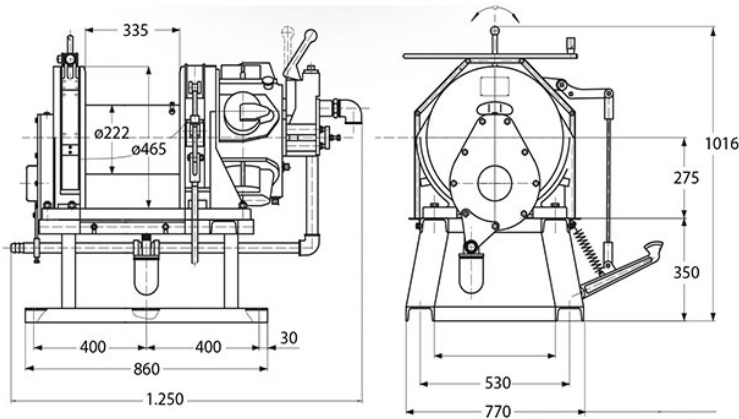
- **Load Capacity:** Capable of lifting or pulling up to 7.2 tons (15,800 lbs), ideal for medium to heavy-duty tasks.
- **Air-Powered Operation:** Operates using compressed air, making it suitable for environments where electric power is either unavailable or unsafe.
- **Durable Construction:** Built with high-strength materials to ensure reliability and long-term performance under demanding conditions.
- **3 Year Warranty, Customer Support and Service in the USA**

### Winch Description

This robust 7.2-ton (15,800 lbs) air winch is designed for heavy-duty lifting and pulling tasks. Powered by compressed air, it offers reliable and efficient performance, making it ideal for demanding industrial applications where durability and strength are essential.

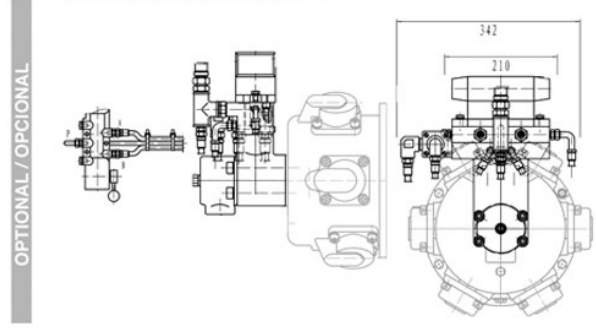
### Technical Specifications

<b>1st Layer Rated Capacity</b>	15873 lb / 7200 kq	<b>Recommended Wire Rope</b>	ø 5/8 in (x 393 ft) / ø 15.8 mm (x 120 m)
<b>Speed (f/m) / min</b>	40~64.9 ft / 12~19 m	<b>Humidity</b>	≤90%
<b>Number of Speeds</b>	Variable Speed	<b>Standards Compliance</b>	ASME B30.7/GB/T5359-2010/ANSI/EN 14492-1
<b>Control</b>	Lever Throttle / Palanca de Aceleración	<b>Warranty</b>	3 Year



Dimensions in mm / Dimensiones en mm

#### CONTROL REMOTO



### PERFORMANCE / DESEMPEÑO

RR-W-410E 7 / 6x19/6x26 EIPS Fiber Core			
Rope Diameter	5/8 Inch	Nominal Strength	40.192 Lb
Rope Weight x ft	0,72 Lb		
Layer	Rope on Layer Lb	Lifting x Layer Lb	Speed ft/min
1	49	15.873	40,0
2	103	14.103	45,0
3	164	12.688	50,0
4	231	11.530	55,0
5	303	10.567	60,0
6	382	9.752	65,0

RR-W-410E 7 / 6x19/6x26 EIPS Alma de Fibra			
Cable	15,8 mm	Resistencia Nominal	18.231 Kg
Peso cable x Mt	1,1 Kg		
Capa	Mts x Capa	Cap. Kg. x Capa	Velocidad Mts/Min
1	15	7.200	12,2
2	31	6.397	13,7
3	50	5.755	15,2
4	70	5.230	16,8
5	93	4.793	18,3
6	117	4.423	19,8

RR-W-410E 7 / 6x19/6x26 EIPS Alma de Fibra					
Cable	15,8 mm	Resistencia Nominal	18.231 Kg	Peso cable x Mt	1,1 Kg
Capa	Mts x Capa	Cap. Kg. x Capa	Velocidad Mts/Min		
1	15	7.200	12,2	OPTIONAL	
2	31	6.397	13,7		
3	50	5.755	15,2		
4	70	5.230	16,8		
5	93	4.793	18,3		
6	117	4.423	19,8		
7	142	4.107	21,4		
8	170	3.832	22,9		

RR-W-410E 7 / 6x19/6x26 EIPS Fiber Core					
Rope Diameter	5/8 Inch	Nominal Strength	40.192 Lb	Rope Weight x ft	0,72 Lb
Layer	Rope on Layer Lb	Lifting x Layer Lb	Speed ft/min		
1	49	15.873	40,0	OPTIONAL	
2	103	14.103	45,0		
3	164	12.688	50,0		
4	231	11.530	55,0		
5	303	10.567	60,0		
6	382	9.752	65,0		
7	468	9.054	70,1		
8	559	8.449	75,1		

### Unit Weight & Dimensions

<b>Total Unit Weight</b>	1874 lbs / 851 Kg
--------------------------	-------------------

### Packaging Weight & Dimensions

<b>Package 1 Net Weight</b>	1874 lbs / 850 Kg
<b>Package 1 Width</b>	47 in / 119.38 cm
<b>Package 1 Gross Weight</b>	4299 lbs / 1951 Kg
<b>Package 1 Height</b>	51 in / 129.54 cm
<b>Package 1 Length</b>	31 in / 78.74 cm