



## 6.7 Tons 15000 lbs Air Winch up to 5/8 390 ft with Automatic inner Disc Brake and drum brake

### Key features

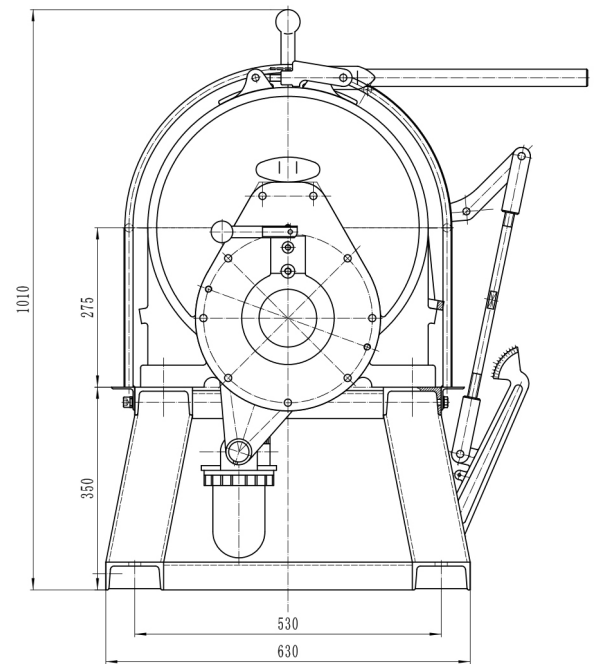
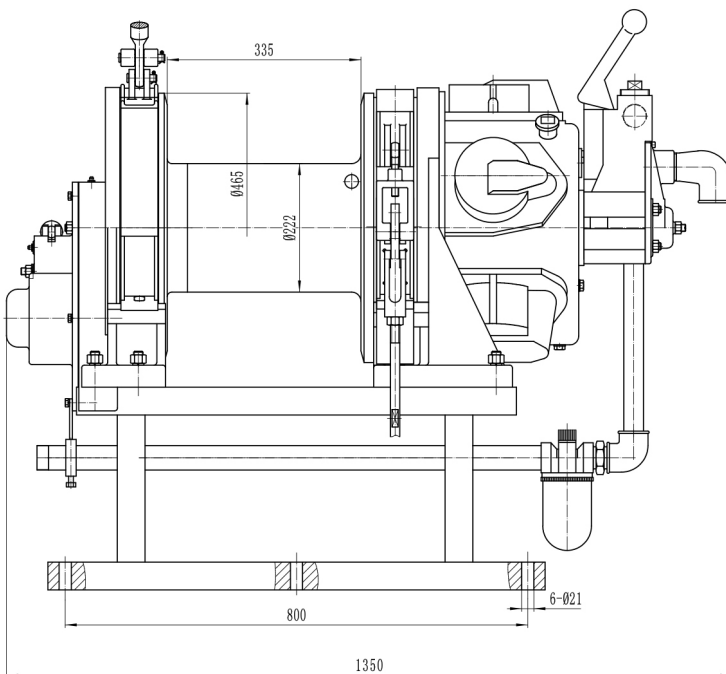
- Load Capacity: Capable of lifting or pulling up to 6.7 tons (15,000 lbs), suitable for medium to heavy-duty tasks.
- Air-Powered Operation: Operates on compressed air, making it ideal for environments where electric power is impractical or unsafe.
- Wire Rope Capacity: Accommodates wire ropes up to 5/8" in diameter and 390 feet in length, providing flexibility in usage.
- 3 Year Warranty, Customer Support and Service in the USA

### Winch Description

This powerful 6.7-ton (15,000 lbs) air winch supports wire rope up to 5/8 diameter and can accommodate lengths of up to 390 feet. Designed for reliable and efficient performance, it delivers smooth operation for heavy-duty lifting and pulling tasks in industrial environments. Note: Wire rope is not included.

## Technical Specifications

<b>1st Layer Rated Capacity</b>	14660 lb / 6650 kg	<b>Free Spooling Clutch Type</b>	No
<b>Speed (f/m) / min</b>	0 ~ 39.4 ft/min / 0 ~ 12 m/min	<b>Wire Rope</b>	ø 5/8 (x 394 ft) / ø16 mm (x 120m)
<b>Number of Speeds</b>	Variable Speed	<b>Recommended Wire Rope</b>	Options Available
<b>Motor Type (68)</b>	Piston Air Motor (5 x 130mm)	<b>Fairlead</b>	No
<b>Control</b>	Lever Throttle / Palanca de Aceleración	<b>Humidity</b>	≤90%
<b>Transmission / Reducer Type</b>	2 Stage Planetary Gear	<b>Standards Compliance</b>	ASME B30.7/GB/T5359-2010/ANSI/EN 14492-1
<b>Drum Brake</b>	Automatic Band Brake	<b>Warranty</b>	3 Year



## Unit Weight & Dimensions

<b>A Total Height</b>	1010 mm
<b>Drum BD Barrel Diameter (58)</b>	222 mm
<b>D Depth</b>	630 mm
<b>Drum FD Flange Diameter (57)</b>	465 mm
<b>W Width</b>	1350 mm

## Packaging Weight & Dimensions

<b>Package 1 Net Weight</b>	1322 lbs / 600 Kg
<b>Package 1 Width</b>	57 in / 144.78 cm
<b>Package 1 Gross Weight</b>	1587 lbs / 720 Kg
<b>Package 1 Height</b>	43 in / 109.22 cm
<b>Package 1 Length</b>	35 in / 88.9 cm

<b>Drum DL Length (56)</b>	335 mm
<b>Total Unit Weight</b>	1322 lbs / 600 Kg