



## 3 Ton Air Powered Marine Capstan PWN30M

### Key features

- Load Capacity: Handles up to 3 tons (6,000 lbs), suitable for heavy-duty marine lifting and pulling tasks.
- Air Powered Operation: Operates using compressed air, offering consistent performance without the need for electrical power.
- Durable Construction: Built with high-quality materials to endure harsh marine conditions, including exposure to saltwater and moisture.
- 3 Year Warranty, Customer Support and Service in the USA

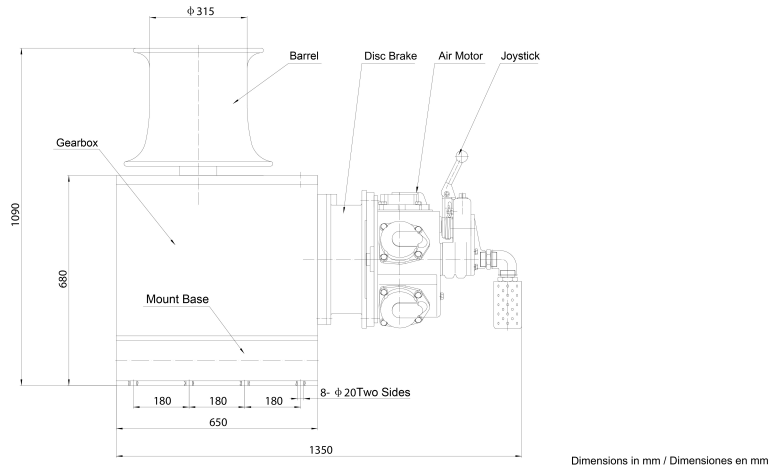
Copyright: The pictures contained in this site belong to Prowinch LLC and are protected by copyright under national and international law. This information may not be reproduced, adapted or modified without the written consent of Prowinch LLC. The use of these images and texts implies that you should mention Prowinch LLC as owner. By consulting this site or downloading any information you agree to these conditions.

### Winch Description

This 3-ton air-powered marine capstan is designed for robust marine applications, offering reliable and efficient performance for anchoring and mooring tasks. Powered by compressed air, it ensures strong and dependable operation in demanding marine environments.

## Technical Specifications

<b>Rated Load Capacity</b>	30 kN	<b>Motor Type (68)</b>	TMH8
<b>Number of Speeds</b>	Variable Speed	<b>Warranty</b>	3 Year
<b>Total Power Watts</b>	12 kW		



## Packaging Weight & Dimensions

<b>Package 1 Gross Weight</b>	661 lbs / 300 Kg
<b>Package 1 Width</b>	31 in / 78.74 cm
<b>Package 1 Length</b>	45 in / 114.3 cm
<b>Package 1 Height</b>	42 in / 106.68 cm