

2 ton 4400 lbs Air Winch

Key features

- Load Capacity: Capable of lifting or pulling up to 2 tons (4,400 lbs), suitable for medium to heavy-duty tasks.
- Air-Powered Operation: Utilizes compressed air, making it ideal for environments where electric power is not practical or safe.
- Durable Construction: Built with robust materials to ensure reliability and long-lasting performance under demanding conditions.
- 3 Year Warranty, Customer Support and Service in the USA

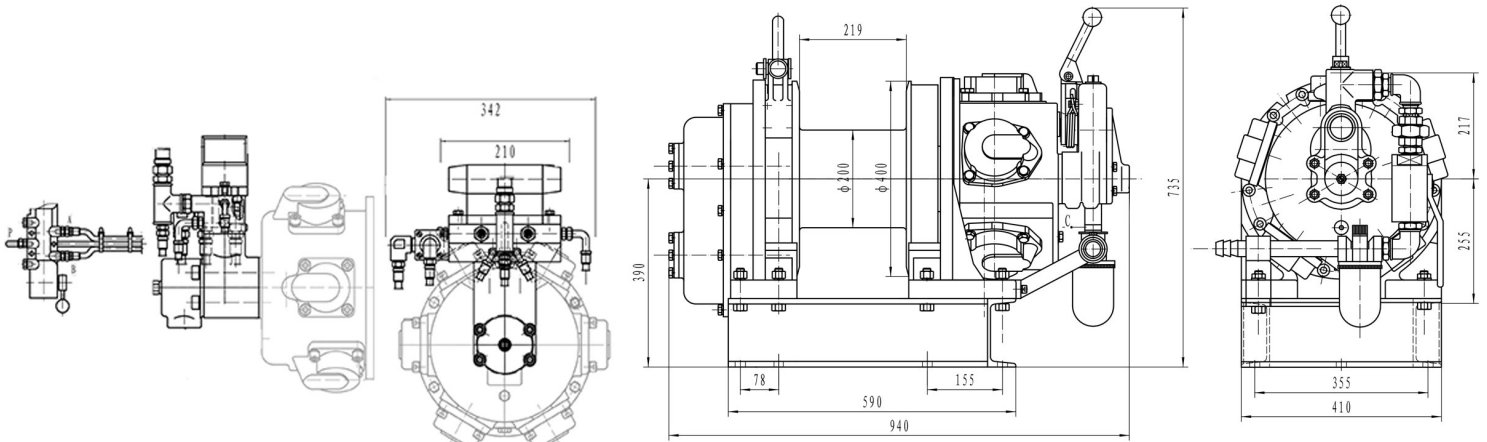


Winch Description

This air-powered winch offers a 2-ton (4,400 lbs) lifting capacity, designed for efficient and reliable performance in various applications. Powered by compressed air, it provides smooth and dependable operation, making it ideal for moderate lifting and pulling tasks in industrial settings.

Technical Specifications

1st Layer Rated Capacity	4400 lb / 2000 kg	Recommended Wire Rope	ø 1/2 in (x 328 ft) / ø 13 mm (x 100 m)
Speed (f/m) / min	0~40 ft/min. / 0~12 m/min	Humidity	≤90%
Number of Speeds	Variable Speed	Standards Compliance	ASME B30.7/GB/T5359-2010/ANSI/EN 14492-1
Control	Lever Throttle / Palanca de Aceleración	Warranty	3 Year



Dimensions in mm / Dimensiones en mm

Rope Diameter / Diámetro del Cable:	1/2 in 13 mm			
Nominal Strength / Resistencia Nominal:	26656 lb / 12091 kg			
Rope Weight x ft / Peso del cable x m:	1.5 lb / 0.7 kg			
INCLUDED/INCLUIDO	Layer / Capa	Rope on drum / Mts x Capa	Lifting x layer / Cap x Capa	Speed / Velocidad (per min)
	1	48 ft / 14 m	4409 lb / 2000 kg	99 ft / 230 m
	2	99 ft / 30 m	4068 lb / 1845 kg	107 ft / 33 m
	3	155 ft / 47 m	3776 lb / 1713 kg	115 ft / 35 m
	4	214 ft / 65 m	3524 lb / 1598 kg	123 ft / 38 m
	5	277 ft / 85 m	3302 lb / 1498 kg	132 ft / 40 m
6	328 ft / 100 m	3107 lb / 1409 kg	140 ft / 43 m	

SERVICE FACTOR / FACTOR DE SERVICIO			
►SERVICE/SERVICIO	►LOAD / CARGA	►TIME / TIEMPO	►MAINTENANCE (Months) / MANTENIMIENTO (meses)
Normal	< 65%	< 25%	6 ~ 12
Heavy / Pesado	> 65%	> 25%	3 ~ 6
Severe / Severo	Abnormal Conditions En condiciones Anormales Environmental, Geographical y Risky Ambientales, Geográficas y Riesgosas < 100%	< Duty Cycle limit < Limite Ciclo de Trabajo	1 ~ 3

Unit Weight & Dimensions

Total Unit Weight	992 lbs / 451 Kg
--------------------------	------------------

Packaging Weight & Dimensions

Package 1 Net Weight	992 lbs / 450 Kg
Package 1 Width	27 in / 68.58 cm
Package 1 Gross Weight	1102 lbs / 500 Kg
Package 1 Height	27 in / 68.58 cm
Package 1 Length	31 in / 78.74 cm