

20 Tons 44000 lbs Air Winch - Remote Control Unit



Key features

- High Load Capacity: Capable of lifting or pulling up to 20 tons (44,000 lbs), designed for extremely heavy-duty applications.
- Air-Powered Operation: Utilizes compressed air, making it suitable for environments where electric power is either unavailable or unsafe.
- Heavy-Duty Construction: Built with durable materials to withstand the stresses of high-capacity lifting and pulling tasks.
- 3 Year Warranty, Customer Support and Service in the USA

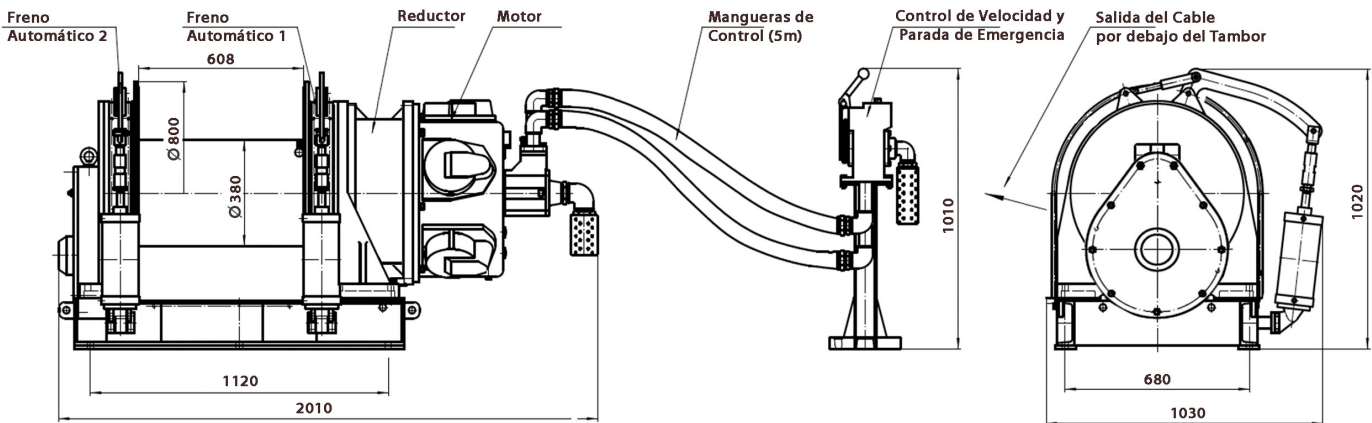
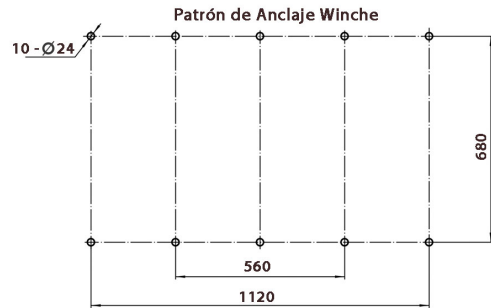
Winch Description

This air winch boasts a substantial 20-ton (44,000 lbs) lifting capacity, powered by compressed air for reliable and efficient performance. Designed for heavy-duty applications, it provides robust and dependable operation for lifting and pulling in demanding industrial environments.

Technical Specifications

1st Layer Rated Capacity	44092 lb / 20000 kg	Recommended Wire Rope	ø 1 in (x 574 ft) / ø 26 mm (x 175 m)
Speed (f/m) / min	25.2~52.4 ft / 7.8~16 m	Humidity	≤90%
Number of Speeds	Variable Speed	Standards Compliance	ASME B30.7/GB/T5359-2010/ANSI/EN 14492-1
Control	Lever Throttle / Palanca de Aceleración	Warranty	3 Year

Mando con Parada de Emergencia Separados del Winche (5 metros)



Unit Weight & Dimensions

Total Unit Weight	3969 lbs / 1801 Kg
--------------------------	--------------------

Packaging Weight & Dimensions

Package 1 Net Weight	3969 lbs / 1801 Kg
Package 1 Width	82 in / 208.28 cm
Package 1 Gross Weight	5799 lbs / 2631 Kg
Package 1 Height	64 in / 162.56 cm
Package 1 Length	43 in / 109.22 cm